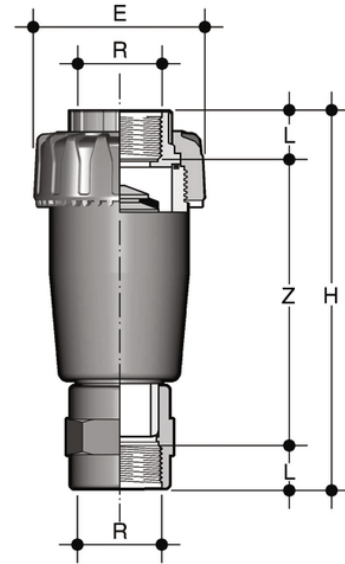


# VAFV - Air release valve DN 15:50

Air release valve with BSP threaded female ends.



Reference	R	DN	PN	E	H	L	Z	g
VAFV012E	1/2"	15	16	55	124	15	94	120
VAFV034E	3/4"	20	16	66	149	16,3	116,4	205
VAFV100E	1"	25	16	75	175	19,1	136,8	360
VAFV112E	1" 1/2	40	16	100	209	21,4	166,2	670
VAFV114E	1" 1/4	32	16	87	200	21,4	157,2	475
VAFV200E	2"	50	16	122	248	25,7	196,6	1130



## VAFV – Air release valve DN 15:50

- Connection system for solvent weld and threaded joints
- **No metal parts in contact with the fluid**
- Can be used as a vacuum breaker valve when installed with the nut at the bottom
- **Valve material compatibility** (PVC-U) with water, drinking water and other food substance conveyance according to **current regulations**
- Can be maintained with the valve body installed