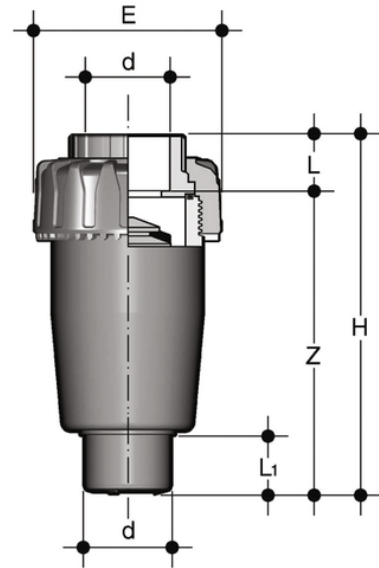


# VAIV - Air release valve DN 15:50

Air release valve with male ends for solvent welding, metric series.



Reference	d	DN	PN	E	H	L	L <sub>1</sub>	Z	g
VAIV020E	20	15	16	55	103	16	18	87	105
VAIV025E	25	20	16	66	125	19	20	106	185
VAIV032E	32	25	16	75	150	22	24	128	280
VAIV040E	40	32	16	87	171	26	28	145	415
VAIV050E	50	40	16	100	187	31	34	156	570
VAIV063E	63	50	16	122	223	38	41	185	950



## VAIV - Air release valve DN 15:50

- Connection system for solvent weld and threaded joints
- **No metal parts in contact with the fluid**
- Can be used as a vacuum breaker valve when installed with the nut at the bottom
- **Valve material compatibility** (PVC-U) with water, drinking water and other food substance conveyance according to **current regulations**
- Can be maintained with the valve body installed