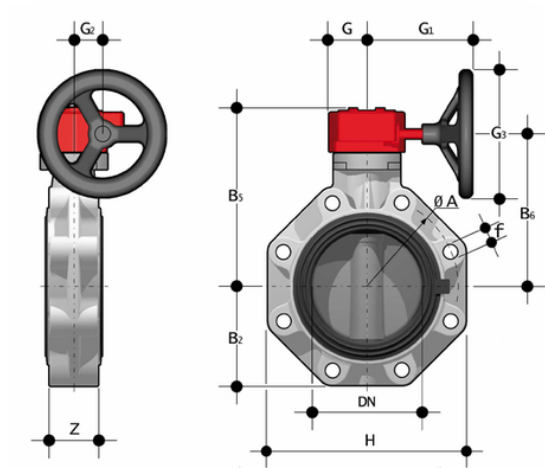


# FKOF/RM LUG ANSI - Butterfly valve DN 40:400

Gearbox operated butterfly valve, version Lug ANSI.



| Reference    | d      | DN  | PN | $\phi A$ | B[5:2] | B[5:5] | B[5:6] | f    | G  | G[5:1] | G[5:2] | G[5:3] | H   | U  | Z   | g     |
|--------------|--------|-----|----|----------|--------|--------|--------|------|----|--------|--------|--------|-----|----|-----|-------|
| FKOALFRM212F | 2" 1/2 | 65  | 10 | 139,7    | 80     | 174    | 146    | 5/8" | 48 | 135    | 39     | 125    | 165 | 4  | 46  | 2900  |
| FKOALFRM300F | 3"     | 80  | 10 | 152,4    | 93     | 188    | 160    | 5/8" | 48 | 135    | 39     | 125    | 185 | 12 | 49  | 3750  |
| FKOALFRM400F | 4"     | 100 | 10 | 190,5    | 107    | 202    | 174    | 5/8" | 48 | 135    | 39     | 125    | 211 | 8  | 56  | 4100  |
| FKOALFRM500F | 5"     | 125 | 10 | 215,9    | 120    | 222    | 194    | 3/4" | 48 | 144    | 39     | 200    | 240 | 8  | 64  | 6250  |
| FKOALFRM600F | 6"     | 150 | 10 | 241,3    | 134    | 235    | 207    | 3/4" | 48 | 144    | 39     | 200    | 268 | 8  | 70  | 7050  |
| FKOALFRM800F | 8"     | 200 | 10 | 298,4    | 161    | 287    | 256    | 3/4" | 65 | 204    | 60     | 200    | 323 | 8  | 71  | 11200 |
| FKOALFRM810F | 10"    | 250 | 6  | 362      | 210    | 317    | 281    | 7/8" | 88 | 236    | 76     | 250    | 405 | 12 | 114 | 24400 |
| FKOALFRM812F | 12"    | 300 | 6  | 431,8    | 245    | 374    | 338    | 7/8" | 88 | 236    | 76     | 250    | 475 | 12 | 114 | 32450 |

# FKOF/RM LUG ANSI - Butterfly valve DN 40:400

- **Ergonomic handle** in HIPVC equipped with **locking and unlocking device, release, quick operation and graduated adjustment** in 10 intermediate positions (DN 40÷200). The operating range, starting from the first few degrees of valve opening, also guarantees extremely low pressure drops
- **Customisable Labelling System**: integrated module in the handle, made of a transparent protection plug and a customisable tag holder using the LSE set (available as an accessory). The **customisation** lets you **identify the valve on the system** according to specific needs
- **STAINLESS steel square section stem** completely isolated from the fluid complying with standard ISO 5211:
  - DN 40÷65: 11 mm
  - DN 80÷100: 14 mm
  - DN 125÷150: 17 mm
  - DN 200: 22 mm
  - DN 250÷400: 27 mm
- **Body** in polypropylene based **compound reinforced with fibreglass (PP-GR) resistant to UV rays** and characterised by **high mechanical strength**
- **Drilling pattern using oval slots** that allow coupling to flanges according to numerous international standards. The special **self-centring inserts in ABS** supplied for DN 40÷200 guarantee the **correct axial alignment** of the valve during installation. For DN 250÷400 valves, the drilling pattern for the selfcentring system is of the traditional type according to DIN and ANSI standards
- **Interchangeable liner** with the dual function of forming a hydraulic seal and isolating the body from the fluid
- Interchangeable Disk in PVDF with through shaft, available in different thermoplastic materials: PVC-U, PP-H, PVC-C, ABS
- Overall dimensions of the valve in accordance with standard ISO 5752 (DN 40÷200 Medium Series 25, DN 250÷300 Long Series 16) and DIN 3202 K2 and ISO 5752 (DN 65÷200 K2, DN 250÷300 K3)
- Can also be installed as an end line valve, bottom discharge valve or tank dump valve
- **Special Lug version** PN 10 fully drilled according to DIN 2501 or ANSI B16.5 cl.150 **with molded-in AISI 316 stainless steel threaded inserts**
- Possibility of installing a manual reducer or pneumatic and/or electric actuators by applying an ISO standard drilling PP-GR flanges. DN 40 ÷ 200 valve equipped with plate with rack in PP-GR. For actuated versions with flange drilled according to ISO 5211 F05, F07, F10. DN 250÷300 valve, fitted with one-piece top flange in high mechanical strength PP-GR with mounting flange for internal components drilled according to standard ISO 5211 F10 (excluding DN 350÷400), F12, F14
- Possibility to have handle with integrated LSQT limit micro switch, even as a retrofit in existing installations