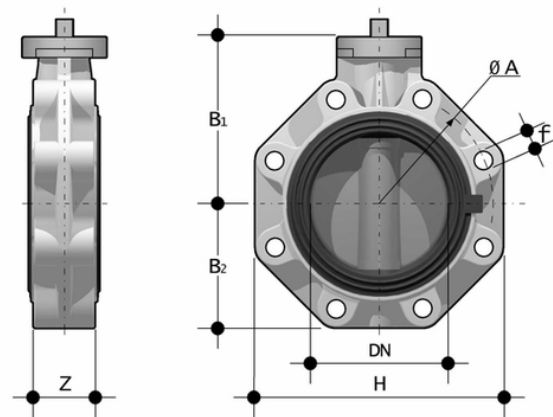


# FKOM/FM LUG ISO-DIN - Butterfly valve DN 40:400

Butterfly valve with bare shaft, version Lug ISO-DIN.



## EPDM

Reference	d	DN	PN	øA	B <sub>1</sub>	B[5:2]	f	H	U	Z	g
FKOLMFM075E	75	65	10	145	119	80	M16	165	4	46	1300
FKOLMFM090E	90	80	10	160	133	93	M16	185	12	49	2100
FKOLMFM110E	110	100	10	180	147	107	M16	211	8	56	2450
FKOLMFM140E	125/140	125	10	210	167	120	M16	240	8	64	4050
FKOLMFM160E	160*/180	150	10	240	180	134	M20	268	8	70	4800
FKOLMFM225E	200*/225*	200	10	295	227	161	M20	323	8	71	7500

## FKM

Reference	d	DN	PN	øA	B <sub>1</sub>	B[5:2]	f	H	U	Z	g
FKOLMFM075F	75	65	10	145	119	80	M16	165	4	46	1300
FKOLMFM090F	90	80	10	160	133	93	M16	185	12	49	2100
FKOLMFM110F	110	100	10	180	147	107	M16	211	8	56	2450
FKOLMFM140F	125/140	125	10	210	167	120	M16	240	8	64	4050
FKOLMFM160F	160*/180	150	10	240	180	134	M20	268	8	70	4800
FKOLMFM225F	200*/225*	200	10	295	227	161	M20	323	8	71	7500

## FKM



# FKOM/FM LUG ISO-DIN - Butterfly valve DN 40:400

Reference	d	DN	PN	øA	B <sub>1</sub>	B[5:2]	f	H	U	Z	g
FKOLMFM075F0SF	75	65	10	145	119	80	M16	165	4	46	1300
FKOLMFM090F0SF	90	80	10	160	133	93	M16	185	12	49	2100
FKOLMFM110F0SF	110	100	10	180	147	107	M16	211	8	56	2450
FKOLMFM140F0SF	125/140	125	10	210	167	120	M16	240	8	64	4050
FKOLMFM160F0SF	160*/180	150	10	240	180	134	M20	268	8	70	4800

# FKOM/FM LUG ISO-DIN - Butterfly valve DN 40:400

- **Ergonomic handle** in HIPVC equipped with **locking and unlocking device, release, quick operation and graduated adjustment** in 10 intermediate positions (DN 40÷200). The operating range, starting from the first few degrees of valve opening, also guarantees extremely low pressure drops
- **Customisable Labelling System:** integrated module in the handle, made of a transparent protection plug and a customisable tag holder using the LSE set (available as an accessory). The **customisation** lets you **identify the valve on the system** according to specific needs
- **STAINLESS steel square section stem** completely isolated from the fluid complying with standard ISO 5211:
  - DN 40÷65: 11 mm
  - DN 80÷100: 14 mm
  - DN 125÷150: 17 mm
  - DN 200: 22 mm
  - DN 250÷400: 27 mm
- **Body** in polypropylene based **compound reinforced with fibreglass (PP-GR)** **resistant to UV rays** and characterised by **high mechanical strength**
- **Drilling pattern using oval slots** that allow coupling to flanges according to numerous international standards. The special **self-centring inserts in ABS** supplied for DN 40÷200 guarantee the **correct axial alignment** of the valve during installation. For DN 250÷400 valves, the drilling pattern for the selfcentring system is of the traditional type according to DIN and ANSI standards
- **Interchangeable liner** with the dual function of forming a hydraulic seal and isolating the body from the fluid
- Interchangeable Disk in PP-H with through shaft, available in different thermoplastic materials: PVC-U, PVC-C, ABS, PVDF
- Overall dimensions of the valve in accordance with standard ISO 5752 (DN 40÷200 Medium series 25, DN 250÷ 300 Long Series 16) and DIN 3202 K2 and ISO 5752 (DN DN 65÷200 K2, DN 250÷300 K3)
- Can also be installed as an end line valve, bottom discharge valve or tank dump valve
- **Special Lug version** PN 10 fully drilled according to DIN 2501 or ANSI B16.5 cl.150 **with molded-in AISI 316 stainless steel threaded inserts**
- **Valve material compatibility** (PP-H) with water conveyance, drinking water and other food substances according to current **regulations**
- Possibility of installing a manual reducer or pneumatic and/or electric actuators by applying an ISO standard drilling PP-GR flanges. DN 40 ÷ 200 valve equipped with plate with rack in PP-GR. For actuated versions with flange drilled according to ISO 5211 F05, F07, F10. DN 250÷300 valve, fitted with one-piece top flange in high mechanical strength PP-GR with mounting flange for internal components drilled according to standard ISO 5211 F10 (excluding DN 350÷400), F12, F14
- Possibility to have handle with integrated LSQT limit micro switch, even as a retrofit in existing installations