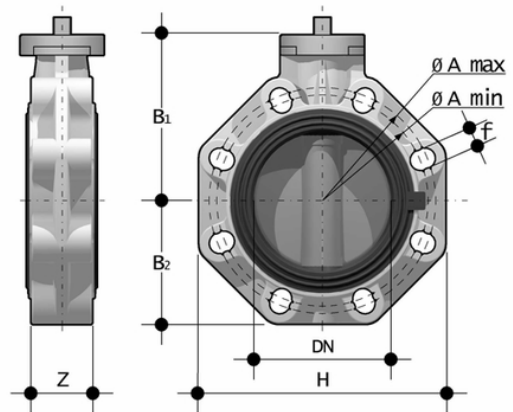


# FKOM/FM – Butterfly valve DN 40:400

Butterfly valve with bare shaft.



## EPDM

Reference	d – Size	DN	PN	A min	A max	øA	B <sub>1</sub>	B[5:2]	f	H	U	Z	g
FKOMFM050E	50 – 1 1/2	40	10	99	109	–	106	60	19	132	4	33	474
FKOAMFM814E	14"	***350	7	–	–	476	330	280	28,5	530	12	129	23315
FKOAMFM812E	12"	***300	8	–	–	432	305	245	25,4	475	12	114	18700
FKOAMFM810E	10"	***250	10	–	–	362	248	210	25,4	405	12	114	11800
FKOMFM400E	400*	**400	6	–	–	515	350	306	26	594	16	169	30310
FKOMFM355E	355*	**350	7	–	–	460	330	280	22	530	16	129	23315
FKOMFM315E	315*	**300	8	–	–	400	305	245	22	475	12	114	18700
FKOMFM280E	250*/280*	**250	10	–	–	350	248	210	22	405	12	114	11800
FKOMFM225E	200*/225* – 8"	200	10	280	298	–	227	161	23	323	8	71	5900
FKOMFM160E	160*/180 – 6"	150	10	230	242	–	180	134	23	268	8	70	3200
FKOMFM140E	125/140 – 5"	125	10	204	215	–	167	120	23	240	8	64	2450
FKOMFM110E	110 – 4"	100	10	165	190	–	147	107	19	211	8	56	1650
FKOMFM090E	90 – 3"	80	10	145	160	–	133	93	19	185	12	49	1300
FKOMFM075E	75 – 2 1/2"	65	10	128	144	–	119	80	19	165	4	46	900
FKOMFM063E	63 – 2"	50	10	115	126	–	112	70	19	147	4	43	654
FKOAMFM816E	16"	***400	6	–	–	540	350	306	28,5	594	16	169	30310

# FKOM/FM – Butterfly valve DN 40:400

## FKM

Reference	d – Size	DN	PN	A min	A max	øA	B <sub>1</sub>	B[5:2]	f	H	U	Z	g
FKOMFM050F	50 – 1"1/2	40	10	99	109	-	106	60	19	132	4	33	474
FKOAMFM814F	14"	***350	7	-	-	476	330	280	28,5	530	12	129	23315
FKOAMFM812F	12"	***300	8	-	-	432	305	245	25,4	475	12	114	18700
FKOAMFM810F	10"	***250	10	-	-	362	248	210	25,4	405	12	114	11800
FKOMFM400F	400*	**400	6	-	-	515	350	306	26	594	16	169	30310
FKOMFM355F	355*	**350	7	-	-	460	330	280	22	530	16	129	23315
FKOMFM315F	315*	**300	8	-	-	400	305	245	22	475	12	114	18700
FKOMFM280F	250*/280*	**250	10	-	-	350	248	210	22	405	12	114	11800
FKOMFM225F	200*/225* – 8"	200	10	280	298	-	227	161	23	323	8	71	5900
FKOMFM160F	160*/180 – 6"	150	10	230	242	-	180	134	23	268	8	70	3200
FKOMFM140F	125/140 – 5"	125	10	204	215	-	167	120	23	240	8	64	2450
FKOMFM110F	110 – 4"	100	10	165	190	-	147	107	19	211	8	56	1650
FKOMFM090F	90 – 3"	80	10	145	160	-	133	93	19	185	12	49	1300
FKOMFM075F	75 – 2"1/2	65	10	128	144	-	119	80	19	165	4	46	900
FKOMFM063F	63 – 2"	50	10	115	126	-	112	70	19	147	4	43	654
FKOAMFM816F	16"	***400	6	-	-	540	350	306	28,5	594	16	169	30310

## FKM

Reference	d – Size	DN	PN	A min	A max	øA	B <sub>1</sub>	B[5:2]	f	H	U	Z	g
FKOMFM050FOSF	50 – 1"1/2	40	10	99	109	-	106	60	19	132	4	33	474
FKOMFM063FOSF	63 – 2"	50	10	115	126	-	112	70	19	147	4	43	654
FKOMFM075FOSF	75 – 2"1/2	65	10	128	144	-	119	80	19	165	4	46	900
FKOMFM090FOSF	90 – 3"	80	10	145	160	-	133	93	19	185	12	49	1300
FKOMFM110FOSF	110 – 4"	100	10	165	190	-	147	107	19	211	8	56	1650
FKOMFM140FOSF	125/140 – 5"	125	10	204	215	-	167	120	23	240	8	64	2450
FKOMFM160FOSF	160*/180 – 6"	150	10	230	242	-	180	134	23	268	8	70	3200

# FKOM/FM – Butterfly valve DN 40:400

- **Ergonomic handle** in HIPVC equipped with **locking and unlocking device, release, quick operation and graduated adjustment** in 10 intermediate positions (DN 40÷200). The operating range, starting from the first few degrees of valve opening, also guarantees extremely low pressure drops
- **Customisable Labelling System**: integrated module in the handle, made of a transparent protection plug and a customisable tag holder using the LSE set (available as an accessory). The **customisation** lets you **identify the valve on the system** according to specific needs
- **STAINLESS steel square section stem** completely isolated from the fluid complying with standard ISO 5211:
  - DN 40÷65: 11 mm
  - DN 80÷100: 14 mm
  - DN 125÷150: 17 mm
  - DN 200: 22 mm
  - DN 250÷400: 27 mm
- **Body** in polypropylene based **compound reinforced with fibreglass (PP-GR)** **resistant to UV rays** and characterised by **high mechanical strength**
- **Drilling pattern using oval slots** that allow coupling to flanges according to numerous international standards. The special **self-centring inserts in ABS** supplied for DN 40÷200 guarantee the **correct axial alignment** of the valve during installation. For DN 250÷400 valves, the drilling pattern for the selfcentring system is of the traditional type according to DIN and ANSI standards
- **Interchangeable liner** with the dual function of forming a hydraulic seal and isolating the body from the fluid
- Interchangeable Disk in PP-H with through shaft, available in different thermoplastic materials: PVC-U, PVC-C, ABS, PVDF
- Overall dimensions of the valve in accordance with standard ISO 5752 (DN 40÷200 Medium series 25, DN 250÷ 300 Long Series 16) and DIN 3202 K2 and ISO 5752 (DN DN 65÷200 K2, DN 250÷300 K3)
- Can also be installed as an end line valve, bottom discharge valve or tank dump valve
- **Special Lug version** PN 10 fully drilled according to DIN 2501 or ANSI B16.5 cl.150 **with molded-in AISI 316 stainless steel threaded inserts**
- **Valve material compatibility** (PP-H) with water conveyance, drinking water and other food substances according to current **regulations**
- Possibility of installing a manual reducer or pneumatic and/or electric actuators by applying an ISO standard drilling PP-GR flanges. DN 40 ÷ 200 valve equipped with plate with rack in PP-GR. For actuated versions with flange drilled according to ISO 5211 F05, F07, F10. DN 250÷300 valve, fitted with one-piece top flange in high mechanical strength PP-GR with mounting flange for internal components drilled according to standard ISO 5211 F10 (excluding DN 350÷400), F12, F14
- Possibility to have handle with integrated LSQT limit micro switch, even as a retrofit in existing installations