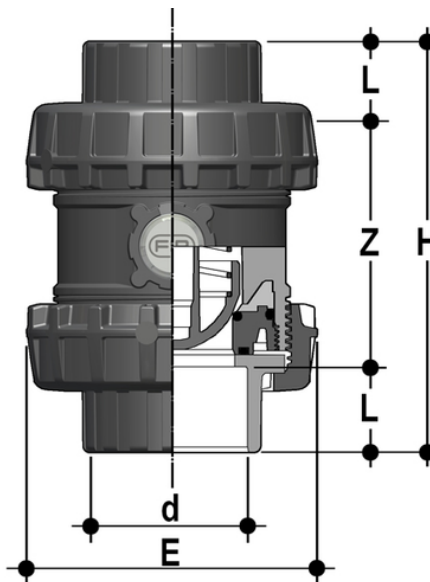


# SSEAC/A316 - Easyfit True Union spring check valve DN 65:100

True Union Check Valve Easyfit with ASTM plain socket ends for solvent welding. Spring in A316.



## EPDM

Reference	d	DN	PN	E	H	L	Z	g
SSEAC400E	4"	100	16	212	283	57,5	168	5870
SSEAC212E	2" 1/2	65	16	157	211	44,5	122	2654
SSEAC300E	3"	80	16	174	248	48	152	3321

## FKM

Reference	d	DN	PN	E	H	L	Z	g
SSEAC212F	2" 1/2	65	16	157	211	44,5	122	2654
SSEAC300F	3"	80	16	174	248	48	152	3321
SSEAC400F	4"	100	16	212	283	57,5	168	5870

# SSEAC/A316 – Easyfit True Union spring check valve DN 65:100

- **Customisable Labelling System: built-in LCE module** on the valve body made up of transparent protection plug and customisable tag holder using the LSE set (available as accessory). The customisation potential **lets you identify the valve on the system** according to specific needs
- **Locked ball seat carrier** safe dismounting for maintenance with the Easyfit multifunctional handle
- Ideal for **horizontal installations**: perfect seal even with low back pressure. Silent and durable even with strong vibrations and pulsating fluid
- PVC-U shutter and springs available in STAINLESS Steel 316, A316 PTFE encapsulated: maximum reliability in a wide field of applications from salt water to aggressive acids
  
- Connection system for solvent weld and threaded joints
- Valve material compatibility (**PVC-C**) **with water conveyance, drinking water and other food substances according to** current regulations
- **PN16 True Union valve body** made for PVC-C injection moulding and European Directive 2014/68/EU (PED) compliant for pressurised equipment. ISO 9393 compliant test requirements
- Easy radial disassembly and fully interchangeable with VXE 65-100 valve models
- Union nut profile that perfectly adapts to the Easyfit multifunctional handle hooked insert (available as an accessory) that lets you control union nut rotation
- Can be **installed** in either a **vertical** or **horizontal** position