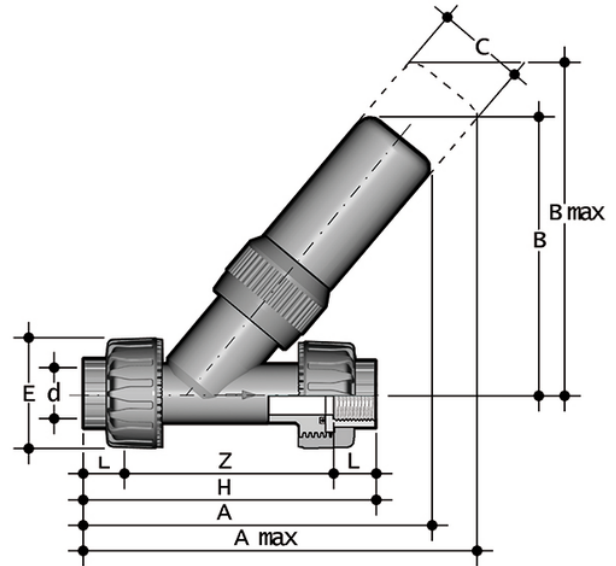


SVUFV - Relief valve DN 15:25

Relief valve with unionised BS parallel socket threaded ends.



EPDM

Reference	R	DN	A	A max	B	B max	C	E	H	L	Z	g
SVUFV012E	1/2"	15	153	193	118	170	34	55	135	15,0	112,0	391
SVUFV034E	3/4"	20	191	271	150	220	40	66	158	16,3	126,4	633
SVUFV100E	1"	25	226	296	175	230	48	75	176	19,1	144,8	1106

FKM

Reference	R	DN	A	A max	B	B max	C	E	H	L	Z	g
SVUFV012F	1/2"	15	153	193	118	170	34	55	135	15,0	112,0	391
SVUFV034F	3/4"	20	191	271	150	220	40	66	158	16,3	126,4	633
SVUFV100F	1"	25	226	296	175	230	48	75	176	19,1	144,8	1106



SVUFV – Relief valve DN 15:25

- Whenever upstream pressure exceeds the level at which the spring is calibrated by the user, the valve will open under the pressure of the fluid, lowering pressure on the line and thereby protecting the components in the system. The valve automatically closes again when the operating pressure on the piston drops to the value to which the spring is calibrated
- Metal parts isolated from fluid and from the environment
- Designed to permit easy installation and adjustment