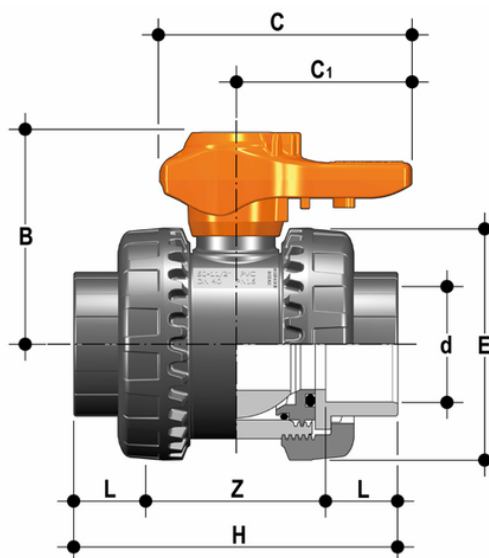


VXEIC - Easyfit 2-way ball valve DN 10:50

Easyfit 2-way ball valve with female ends for solvent welding, metric series.



EPDM

Reference	d	DN	PN	B	C	C ₁	E	H	L	Z	g
VXEIC016E	16	10	16	49	64	44	54	82	16	50	180
VXEIC020E	20	15	16	49	64	44	54	82	16	50	175
VXEIC025E	25	20	16	62	78	55	63	91	19	53	260
VXEIC032E	32	25	16	71	87	60	72	103	22	59	365
VXEIC040E	40	32	16	82	102	72	85	120	26	68	565
VXEIC050E	50	40	16	92	109	76	100	139	31	77	795
VXEIC063E	63	50	16	110	133	94	118	174	38	98	1325

FKM

Reference	d	DN	PN	B	C	C ₁	E	H	L	Z	g
VXEIC016F	16	10	16	49	64	44	54	82	16	50	180
VXEIC020F	20	15	16	49	64	44	54	82	16	50	175
VXEIC025F	25	20	16	62	78	55	63	91	19	53	260
VXEIC032F	32	25	16	71	87	60	72	103	22	59	365
VXEIC040F	40	32	16	82	102	72	85	120	26	68	565
VXEIC050F	50	40	16	92	109	76	100	139	31	77	795
VXEIC063F	63	50	16	110	133	94	118	174	38	98	1325

VXEIC – Easyfit 2-way ball valve DN 10:50

- Two position **Easyfit ergonomic multifunctional handle with union nut tightening control** which can be used to **adjust ball seat carriers**. Handle use is especially indicated for **maintenance** work where **space is limited** and hard to access
- **Customisable Labelling System: built-in LCE module** on the handle made up of a transparent protection plug and customisable tag holder with LSE set (available as accessory). The customisation potential lets you **identify the valve on the system** according to specific needs
- **The PTFE ball seat system with locked carrier** adjustable via Easyfit multifunctional handle or Easytorque adjustment kit (available as an accessory)
- High surface finish **valve stem with double O-Ring**, produced in CNC work stations to achieve precise dimensional tolerance and increased reliability
- Machined high surface finish ball that guarantees a smooth operation and increased reliability
- **Patented Easyfit system**: innovative mechanism based on the principle of the bevel gear pair that controls valve union nut rotation during installation
- Connection system for solvent weld and threaded joints
- **Valve material compatibility** (PVC-C) and elastomer **seal elements** (EPDM or FKM), with water, drinking water and other food substances as per **current regulations**
- Easy radial disassembly allowing quick replacement of O-rings and ball seats without any need for tools
- **PN16 True Union valve body** made for PVC-C injection moulding and European Directive 2014/68/EU (PED) compliant for pressurised equipment. ISO 9393 compliant test requirements
- Fully interchangeable with previous VX Ergo series models
- Option of disassembling downstream pipes with the valve in the closed position
- Floating **full bore ball** with high surface finish made in CNC work stations to achieve precise dimensional tolerance and high surface finish