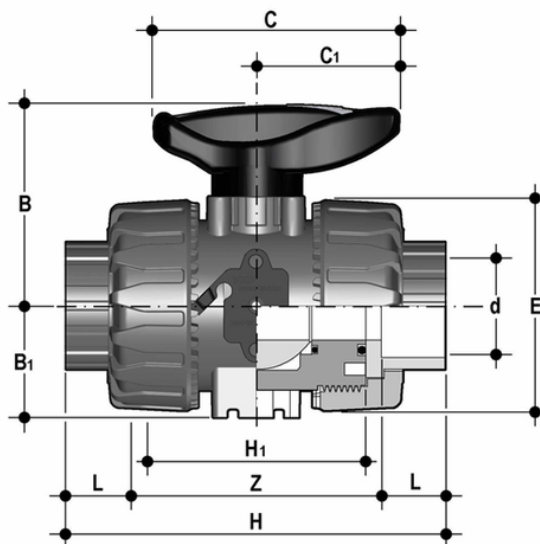


VKDIC - DUAL BLOCK® 2-way ball valve DN 10:50

DUAL BLOCK® 2-way ball valve with female ends for solvent welding, metric series.



EPDM

Reference	d	DN	PN	B	B ₁	C	C ₁	E	H	H ₁	L	Z	g
VKDIC016E	16	10	16	54	29	67	40	54	103	65	14	75	234
VKDIC020E	20	15	16	54	29	67	40	54	103	65	16	71	223
VKDIC025E	25	20	16	65	34,5	85	49	65	115	70	19	77	358
VKDIC032E	32	25	16	69,5	39	85	49	73	128	78	22	84	476
VKDIC040E	40	32	16	82,5	46	108	64	86	146	88	26	94	753
VKDIC050E	50	40	16	89	52	108	64	98	164	93	31	102	1007
VKDIC063E	63	50	16	108	62	134	76	122	199	111	38	123	1717

EPDM

Reference	d	DN	PN	B	B ₁	C	C ₁	E	H	H ₁	L	Z	g
VKDIC016EOLF	16	10	16	54	29	67	40	54	103	65	14	75	234
VKDIC020EOLF	20	15	16	54	29	67	40	54	103	65	16	71	223
VKDIC025EOLF	25	20	16	65	34,5	85	49	65	115	70	19	77	358
VKDIC032EOLF	32	25	16	69,5	39	85	49	73	128	78	22	84	476
VKDIC040EOLF	40	32	16	82,5	46	108	64	86	146	88	26	94	753
VKDIC050EOLF	50	40	16	89	52	108	64	98	164	93	31	102	1007
VKDIC063EOLF	63	50	16	108	62	134	76	122	199	111	38	123	1717



VKDIC - DUAL BLOCK® 2-way ball valve DN 10:50

EPDM

Reference	d	DN	PN	B	B ₁	C	C ₁	E	H	H ₁	L	Z	g
VKDIC016E0SF	16	10	16	54	29	67	40	54	103	65	14	75	234
VKDIC020E0SF	20	15	16	54	29	67	40	54	103	65	16	71	223
VKDIC025E0SF	25	20	16	65	34,5	85	49	65	115	70	19	77	358
VKDIC032E0SF	32	25	16	69,5	39	85	49	73	128	78	22	84	476
VKDIC040E0SF	40	32	16	82,5	46	108	64	86	146	88	26	94	753
VKDIC050E0SF	50	40	16	89	52	108	64	98	164	93	31	102	1007
VKDIC063E0SF	63	50	16	108	62	134	76	122	199	111	38	123	1717

FKM

Reference	d	DN	PN	B	B ₁	C	C ₁	E	H	H ₁	L	Z	g
VKDIC016F	16	10	16	54	29	67	40	54	103	65	14	75	234
VKDIC020F	20	15	16	54	29	67	40	54	103	65	16	71	223
VKDIC025F	25	20	16	65	34,5	85	49	65	115	70	19	77	358
VKDIC032F	32	25	16	69,5	39	85	49	73	128	78	22	84	476
VKDIC040F	40	32	16	82,5	46	108	64	86	146	88	26	94	753
VKDIC050F	50	40	16	89	52	108	64	98	164	93	31	102	1007
VKDIC063F	63	50	16	108	62	134	76	122	199	111	38	123	1717

FKM

Reference	d	DN	PN	B	B ₁	C	C ₁	E	H	H ₁	L	Z	g
VKDIC016FOLF	16	10	16	54	29	67	40	54	103	65	14	75	234
VKDIC020FOLF	20	15	16	54	29	67	40	54	103	65	16	71	223
VKDIC025FOLF	25	20	16	65	34,5	85	49	65	115	70	19	77	358
VKDIC032FOLF	32	25	16	69,5	39	85	49	73	128	78	22	84	476
VKDIC040FOLF	40	32	16	82,5	46	108	64	86	146	88	26	94	753
VKDIC050FOLF	50	40	16	89	52	108	64	98	164	93	31	102	1007
VKDIC063FOLF	63	50	16	108	62	134	76	122	199	111	38	123	1717

FKM

Reference	d	DN	PN	B	B ₁	C	C ₁	E	H	H ₁	L	Z	g
VKDIC016F0SF	16	10	16	54	29	67	40	54	103	65	14	75	234
VKDIC020F0SF	20	15	16	54	29	67	40	54	103	65	16	71	223
VKDIC025F0SF	25	20	16	65	34,5	85	49	65	115	70	19	77	358





VKDIC - DUAL BLOCK® 2-way ball valve DN 10:50

Reference	d	DN	PN	B	B ₁	C	C ₁	E	H	H ₁	L	Z	g
VKDIC032F0SF	32	25	16	69,5	39	85	49	73	128	78	22	84	476
VKDIC040F0SF	40	32	16	82,5	46	108	64	86	146	88	26	94	753
VKDIC050F0SF	50	40	16	89	52	108	64	98	164	93	31	102	1007
VKDIC063F0SF	63	50	16	108	62	134	76	122	199	111	38	123	1717

VKDIC - DUAL BLOCK® 2-way ball valve DN 10:50

- Ergonomic HIPVC handle equipped with **removable tool to adjust the ball seat carrier**.
- **Handle lock 0°- 90° SHKD** (available as an accessory) ergonomically operable during service and padlockable
- Robust **integrated bracket for valve anchoring**, for easy and quick automation even after valve installation on the system via the Power Quick module (optional)
- **DUAL BLOCK®** patented lock system that ensures union nut tightening hold even in severe conditions such as vibrations or heat dilation
- Machined high surface finish ball that guarantees a smooth operation and increased reliability

- Connection system for solvent weld, threaded and flanged joints
- Patented **SEAT STOP®** ball carrier system that lets you micro-adjust ball seats and minimise the axial force effect
- Easy radial dismounting allowing quick replacement of O-rings and ball seats without any need for tools
- **PN16 True Union valve body** made for rigid PVC-U injection moulding equipped with built-in bores for actuation. ISO 9393 compliant test requisites
- Option of dismounting downstream pipes with the valve in the closed position
- Floating **full bore ball** with high surface finish
- **Integrated bracket** for valve anchoring
- Ball seat carriers can be adjusted using the **Easytorque adjustment kit**
- Possibility to have handle with integrated LSQT limit micro switch, even as a retrofit in existing installations