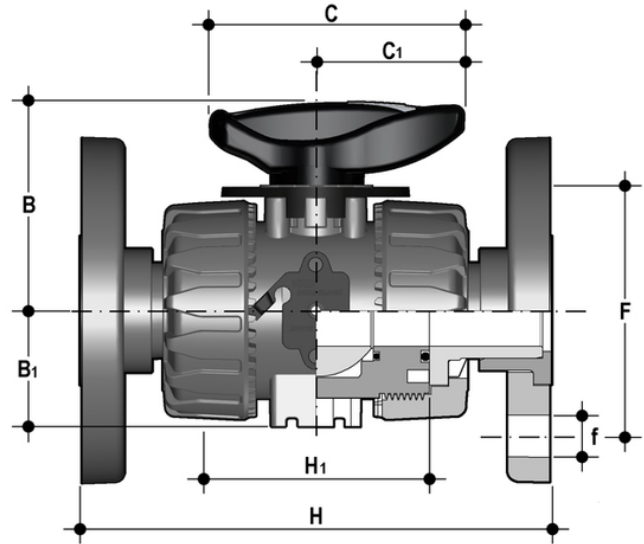


VKROF - DUAL BLOCK® regulating ball valve DN 10:50

DUAL BLOCK® regulating ball valve with EN/ISO/DIN fixed flange, drilled PN10/16. Face to face according to EN 558-1.



| Reference | d | DN | PN | B | B ₁ | C | C[5:1] | F | f | H | H ₁ | Sp | U | g |
|-----------|----|----|----|------|----------------|-----|--------|-----|----|-----|----------------|----|---|------|
| VKROF020F | 20 | 15 | 16 | 54 | 29 | 67 | 40 | 65 | 14 | 130 | 65 | 11 | 4 | 547 |
| VKROF025F | 25 | 20 | 16 | 65 | 34,5 | 85 | 49 | 75 | 14 | 150 | 70 | 14 | 4 | 772 |
| VKROF032F | 32 | 25 | 16 | 69,5 | 39 | 85 | 49 | 85 | 14 | 160 | 78 | 14 | 4 | 1024 |
| VKROF040F | 40 | 32 | 16 | 82,5 | 46 | 108 | 64 | 100 | 18 | 180 | 88 | 14 | 4 | 1583 |
| VKROF050F | 50 | 40 | 16 | 89 | 52 | 108 | 64 | 110 | 18 | 200 | 93 | 16 | 4 | 2024 |
| VKROF063F | 63 | 50 | 16 | 108 | 62 | 134 | 76 | 125 | 18 | 230 | 111 | 16 | 4 | 3219 |

VKROF – DUAL BLOCK® regulating ball valve DN 10:50

- HIPVC ergonomic multifunctional handle with **position indicator** and tool to adjust the ball seat carrier
- Flow direction and opening angle indication plate with **graduated scale with 5° detail** for clear and accurate readings
- 90° operating angle that permits **the use of standard** quarter turn **actuators**
- The patented ball design provides **linear flow adjustment** throughout its range of operation even when the valve is open just a few degrees and guarantees minimum pressure drops
- Patented **DUAL BLOCK®** system: prevents union nuts from loosening even under extreme operating conditions: e.g. vibration or thermal expansion

- Connection system for solvent weld, threaded and flanged joints
- Patented **SEAT STOP®** ball carrier system that lets you micro-adjust seals and minimise the axial force effect
- Easy radial dismounting allowing quick replacement of O-rings and ball seats without any need for tools
- **PN16 True Union valve body** made for rigid PVC-U injection moulding equipped with built-in bores for actuation. ISO 9393 compliant test requisites
- Option of dismounting downstream pipes with the valve in the closed position
- High surface finish stem with double O-Ring and double connection key to ball
- **Integrated bracket** for valve anchoring
- Ball seat carrier can be adjusted using the **Easytorque adjustment kit**
- Actuation option: version with electric modulating actuator with 4-20 mA / 0-10 V inlet and 4-20 mA / 0-10 V outlet to monitor the position
- Valve suitable for carrying fluids that are clean and free of suspended particles