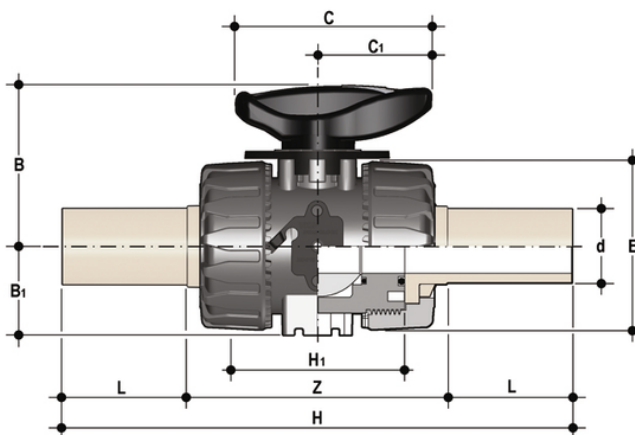


VKRBM - DUAL BLOCK® regulating ball valve DN 10:50

DUAL BLOCK® regulating ball valve with long spigot male ends in PP-H for butt welding or electrofusion (CVDM).



EPDM

| Reference | d | DN | PN | B | B ₁ | C | C ₁ | E | H | H ₁ | L | Z | g |
|-----------|----|----|----|-----|----------------|-----|----------------|-----|-----|----------------|------|-----|------|
| VKRBM020E | 20 | 15 | 10 | 54 | 29 | 67 | 40 | 54 | 175 | 65 | 40,5 | 94 | 220 |
| VKRBM025E | 25 | 20 | 10 | 65 | 35 | 85 | 49 | 65 | 212 | 70 | 54 | 106 | 340 |
| VKRBM032E | 32 | 25 | 10 | 70 | 39 | 85 | 49 | 73 | 226 | 78 | 56 | 117 | 443 |
| VKRBM040E | 40 | 32 | 10 | 83 | 46 | 108 | 64 | 86 | 246 | 88 | 56 | 131 | 593 |
| VKRBM050E | 50 | 40 | 10 | 89 | 52 | 108 | 64 | 98 | 271 | 93 | 60,5 | 145 | 945 |
| VKRBM063E | 63 | 50 | 10 | 108 | 62 | 134 | 76 | 122 | 300 | 111 | 65,5 | 161 | 1607 |

EPDM

| Reference | d | DN | PN | B | B ₁ | C | C ₁ | E | H | H ₁ | L | Z | g |
|--------------|----|----|----|-----|----------------|-----|----------------|-----|-----|----------------|------|-----|------|
| VKRBM020EOLF | 20 | 15 | 10 | 54 | 29 | 67 | 40 | 54 | 175 | 65 | 40,5 | 94 | 220 |
| VKRBM025EOLF | 25 | 20 | 10 | 65 | 35 | 85 | 49 | 65 | 212 | 70 | 54 | 106 | 340 |
| VKRBM032EOLF | 32 | 25 | 10 | 70 | 39 | 85 | 49 | 73 | 226 | 78 | 56 | 117 | 443 |
| VKRBM040EOLF | 40 | 32 | 10 | 83 | 46 | 108 | 64 | 86 | 246 | 88 | 56 | 131 | 593 |
| VKRBM050EOLF | 50 | 40 | 10 | 89 | 52 | 108 | 64 | 98 | 271 | 93 | 60,5 | 145 | 945 |
| VKRBM063EOLF | 63 | 50 | 10 | 108 | 62 | 134 | 76 | 122 | 300 | 111 | 65,5 | 161 | 1607 |

EPDM

VKRBM - DUAL BLOCK® regulating ball valve DN 10:50

| Reference | d | DN | PN | B | B ₁ | C | C ₁ | E | H | H ₁ | L | Z | g |
|--------------|----|----|----|-----|----------------|-----|----------------|-----|-----|----------------|------|-----|------|
| VKRBM020E0SF | 20 | 15 | 10 | 54 | 29 | 67 | 40 | 54 | 175 | 65 | 40,5 | 94 | 220 |
| VKRBM025E0SF | 25 | 20 | 10 | 65 | 35 | 85 | 49 | 65 | 212 | 70 | 54 | 106 | 340 |
| VKRBM032E0SF | 32 | 25 | 10 | 70 | 39 | 85 | 49 | 73 | 226 | 78 | 56 | 117 | 443 |
| VKRBM040E0SF | 40 | 32 | 10 | 83 | 46 | 108 | 64 | 86 | 246 | 88 | 56 | 131 | 593 |
| VKRBM050E0SF | 50 | 40 | 10 | 89 | 52 | 108 | 64 | 98 | 271 | 93 | 60,5 | 145 | 945 |
| VKRBM063E0SF | 63 | 50 | 10 | 108 | 62 | 134 | 76 | 122 | 300 | 111 | 65,5 | 161 | 1607 |

FKM

| Reference | d | DN | PN | B | B ₁ | C | C ₁ | E | H | H ₁ | L | Z | g |
|-----------|----|----|----|-----|----------------|-----|----------------|-----|-----|----------------|------|-----|------|
| VKRBM020F | 20 | 15 | 10 | 54 | 29 | 67 | 40 | 54 | 175 | 65 | 40,5 | 94 | 220 |
| VKRBM025F | 25 | 20 | 10 | 65 | 35 | 85 | 49 | 65 | 212 | 70 | 54 | 106 | 340 |
| VKRBM032F | 32 | 25 | 10 | 70 | 39 | 85 | 49 | 73 | 226 | 78 | 56 | 117 | 443 |
| VKRBM040F | 40 | 32 | 10 | 83 | 46 | 108 | 64 | 86 | 246 | 88 | 56 | 131 | 593 |
| VKRBM050F | 50 | 40 | 10 | 89 | 52 | 108 | 64 | 98 | 271 | 93 | 60,5 | 145 | 945 |
| VKRBM063F | 63 | 50 | 10 | 108 | 62 | 134 | 76 | 122 | 300 | 111 | 65,5 | 161 | 1607 |

FKM

| Reference | d | DN | PN | B | B ₁ | C | C ₁ | E | H | H ₁ | L | Z | g |
|--------------|----|----|----|-----|----------------|-----|----------------|-----|-----|----------------|------|-----|------|
| VKRBM020FOLF | 20 | 15 | 10 | 54 | 29 | 67 | 40 | 54 | 175 | 65 | 40,5 | 94 | 220 |
| VKRBM025FOLF | 25 | 20 | 10 | 65 | 35 | 85 | 49 | 65 | 212 | 70 | 54 | 106 | 340 |
| VKRBM032FOLF | 32 | 25 | 10 | 70 | 39 | 85 | 49 | 73 | 226 | 78 | 56 | 117 | 443 |
| VKRBM040FOLF | 40 | 32 | 10 | 83 | 46 | 108 | 64 | 86 | 246 | 88 | 56 | 131 | 593 |
| VKRBM050FOLF | 50 | 40 | 10 | 89 | 52 | 108 | 64 | 98 | 271 | 93 | 60,5 | 145 | 945 |
| VKRBM063FOLF | 63 | 50 | 10 | 108 | 62 | 134 | 76 | 122 | 300 | 111 | 65,5 | 161 | 1607 |

FKM

| Reference | d | DN | PN | B | B ₁ | C | C ₁ | E | H | H ₁ | L | Z | g |
|--------------|----|----|----|-----|----------------|-----|----------------|-----|-----|----------------|------|-----|------|
| VKRBM020FOSF | 20 | 15 | 10 | 54 | 29 | 67 | 40 | 54 | 175 | 65 | 40,5 | 94 | 220 |
| VKRBM025FOSF | 25 | 20 | 10 | 65 | 35 | 85 | 49 | 65 | 212 | 70 | 54 | 106 | 340 |
| VKRBM032FOSF | 32 | 25 | 10 | 70 | 39 | 85 | 49 | 73 | 226 | 78 | 56 | 117 | 443 |
| VKRBM040FOSF | 40 | 32 | 10 | 83 | 46 | 108 | 64 | 86 | 246 | 88 | 56 | 131 | 593 |
| VKRBM050FOSF | 50 | 40 | 10 | 89 | 52 | 108 | 64 | 98 | 271 | 93 | 60,5 | 145 | 945 |
| VKRBM063FOSF | 63 | 50 | 10 | 108 | 62 | 134 | 76 | 122 | 300 | 111 | 65,5 | 161 | 1607 |

VKRBM – DUAL BLOCK®

regulating ball valve DN 10:50

- HIPVC ergonomic multifunctional handle with **position indicator** and tool to adjust the ball seat carrier
- Flow direction and opening angle indication plate with **graduated scale with 5° detail** for clear and accurate readings
- 90° operating angle that permits **the use of standard** quarter turn **actuators**
- The patented ball design provides **linear flow adjustment** throughout its range of operation even when the valve is open just a few degrees and guarantees minimum pressure drops
- Patented **DUAL BLOCK®** system: prevents union nuts from loosening even under extreme operating conditions: e.g. vibration or thermal expansion

- Connection system for solvent weld, threaded and flanged joints
- Patented **SEAT STOP®** ball carrier system that lets you micro-adjust seals and minimise the axial force effect
- Easy radial dismounting allowing quick replacement of O-rings and ball seats without any need for tools
- **PN16 True Union valve body** made for rigid PVC-U injection moulding equipped with built-in bores for actuation. ISO 9393 compliant test requisites
- Option of dismounting downstream pipes with the valve in the closed position
- High surface finish stem with double O-Ring and double connection key to ball
- **Integrated bracket** for valve anchoring
- Ball seat carrier can be adjusted using the **Easytorque adjustment kit**
- Actuation option: version with electric modulating actuator with 4-20 mA / 0-10 V inlet and 4-20 mA / 0-10 V outlet to monitor the position
- Valve suitable for carrying fluids that are clean and free of suspended particles