

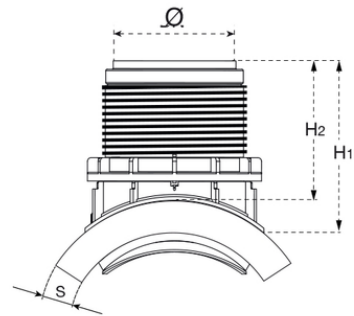
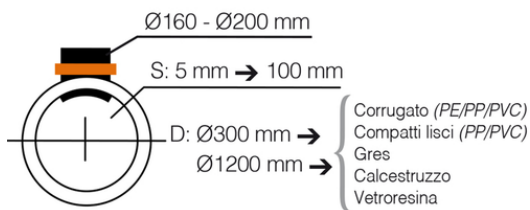
Easy Clip Link Ø200

Mechanical saddle for structured, compact solid wall, clay, concrete and GRP pipes.

Standard lip ring

Included one tube of lubricant: Camon scivolina Art. 6741500 jar gr. 150

GUIDE TO CHOOSE THE RIGHT MECHANICAL SADDLE [EASY CLIP CALCULATOR](#)



Reference	certificate	H1 (mm)	\varnothing (mm)	Version
1A20058	CSTB: ANF EN 1401 / MPA: DIN EN 13598-1	315	200	-
1C20058	CSTB: ANF EN 1401 / MPA: DIN EN 13598-1	315	200	-
1D20058	CSTB: ANF EN 1401 / MPA: DIN EN 13598-1	315	200	-
1E20058	CSTB: ANF EN 1401 / MPA: DIN EN 13598-1	315	200	-
1G20058	CSTB: ANF EN 1401 / MPA: DIN EN 13598-1	315	200	-
1H20058	CSTB: ANF EN 1401 / MPA: DIN EN 13598-1	315	200	-
1J20058	CSTB: ANF EN 1401 / MPA: DIN EN 13598-1	315	200	-
1K20058	CSTB: ANF EN 1401 / MPA: DIN EN 13598-1	315	200	-
1X20058	CSTB: ANF EN 1401	265	200	upon request
1Y20058	CSTB: ANF EN 1401 / MPA: DIN EN 13598-1	265	200	-
1Z20058	CSTB: ANF EN 1401	265	200	-