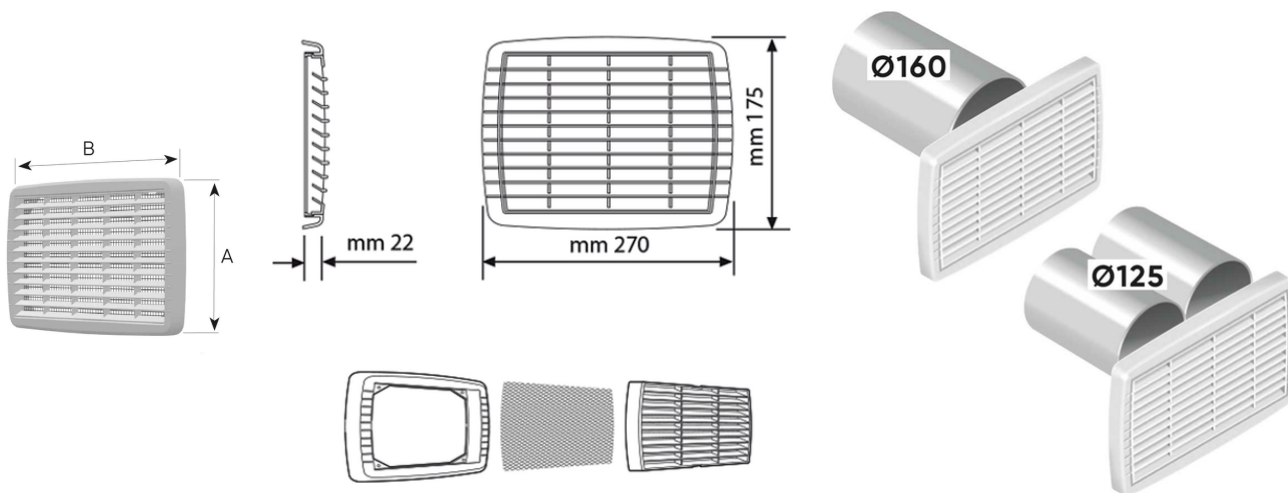


Rectangular surface mounted vents



Reference	Colour	A x B (mm)	Air Flow (cm ³)	Type	Type	Material	Included	Version
E172705	White	175 x 270	200 (fino a KW 33,3 secondo norme UNI CIG 7129)	Easy inspection	Surface mounted	ABS	Mosquito mesh	-
E17270R	Copper	175 x 270	200 (fino a KW 33,3 secondo norme UNI CIG 7129)	Easy inspection	Surface mounted	ABS	Mosquito mesh	-
E1727G5	White	175 x 270	200 (fino a KW 33,3 secondo norme UNI CIG 7129)	Easy inspection	Surface mounted	ABS	Mosquito mesh	Thermo shrinking