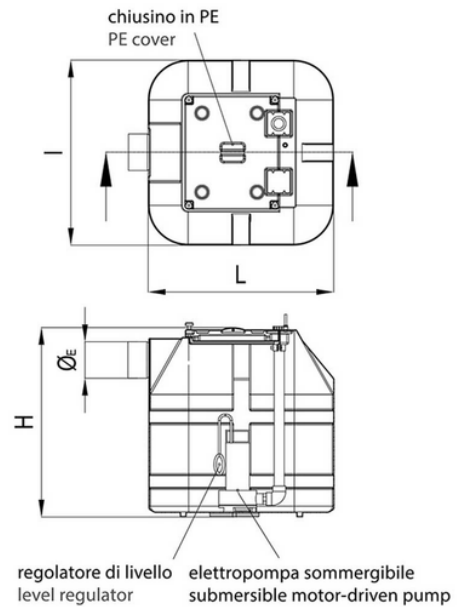
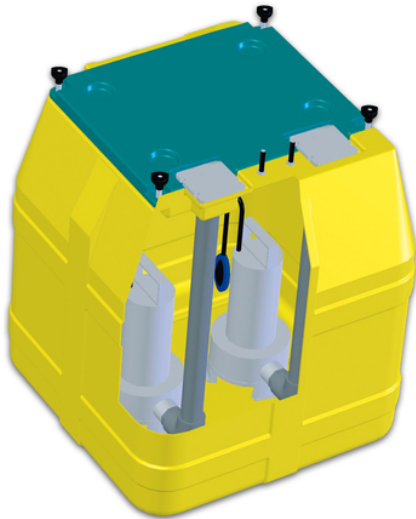


# PRATICA FAMILY type 250-500, lift station

Lifting surface water and sewage with high flow rates



Reference	Height H (cm)	ØE (mm)	Electrical Power 1 pump (Kw)	l x L (cm)	Capacity (litres)	Voltage (V)	Flow rate Q (m <sup>3</sup> /h)	Pump delivery	Item	prevalenceHM
ISO4300	75	100	0,38	66x66	250	220	0-10	1½	Tipo 250 A1	0-7
ISO4301	75	100	0,38	66x66	250	220	0-20	1½	Tipo 250 A2	0-7
ISO4302	85	100	0,38	86x86	500	220	0-10	1½	Tipo 500 A1	0-7
ISO4303	85	100	0,38	86x86	500	220	0-20	1½	Tipo 500 A2	0-7