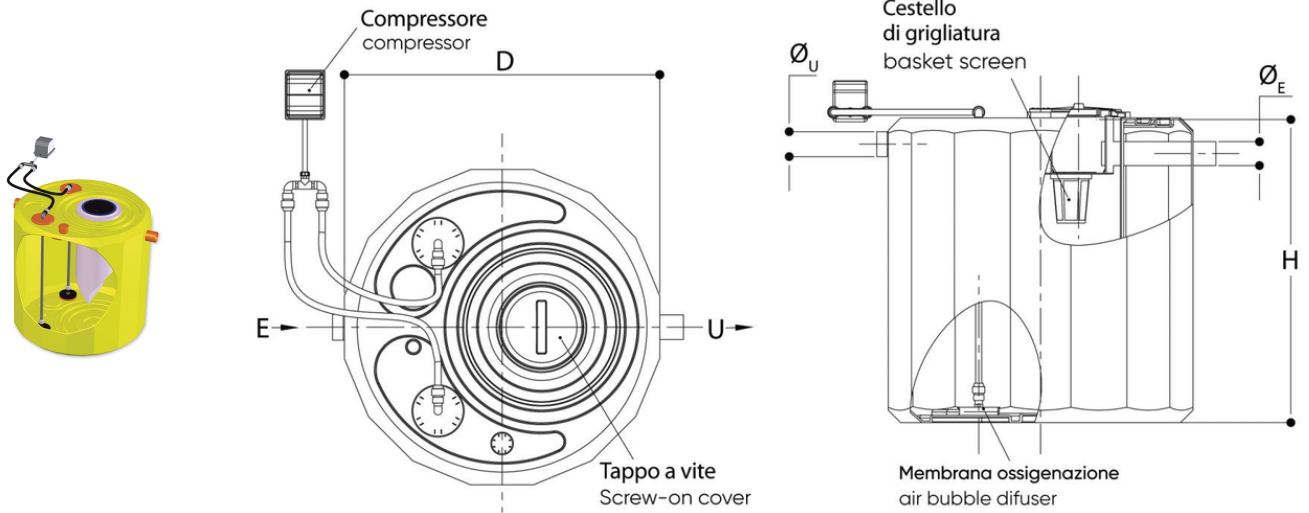


ECOWASH, biofiltration system

Prefabricated polyethylene Ecowash system consisting of a biofiltration reactor on the coal bed, compressor and silenced membrane



Reference	D (cm)	Height H (cm)	ØE e ØU (mm)	Power (Kw)	Voltage (V)	Flow rate Q (m ³ /h)	Item	Flow Rate (l/s)
ISO0850	160	160	125	100 (W)	220	1,5	ECOWASH1	5
ISO0851	160	200	140	150 (W)	220	3	ECOWASH2	10
ISO0852	160	240	140	200 (W)	220	5	ECOWASH3	15