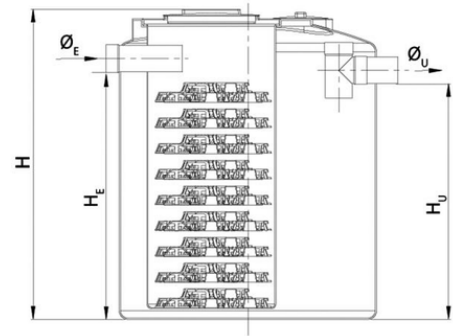
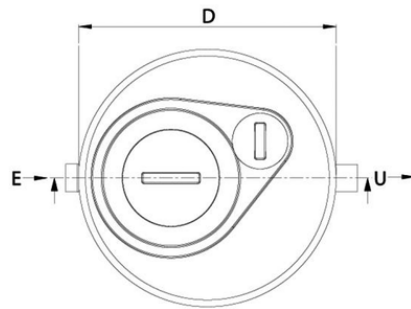


ANAPACKAGE, anaerobic percolating filter

One-piece polyethylene packaged Anaerobic Percolating Filter, suitable for treating domestic and commercial wastewater for subsequent discharge to suitable final destination.



Reference	D (cm)	Height H (cm)	HE (cm)	HU (cm)	ØE e ØU (mm)	Capacity (litres)	Item	Users (E.I.)
IS7001A	80	120	102	97	100	500	Tipo 500	5
IS7002A	110	122	95	92	100	1.000	Tipo 1000	10
IS7003A	120	140	115	110	125	1.500	Tipo 1500	15
IS7004A	120	195	170	165	140	2.000	Tipo 2000	25
IS7005A	147	200	170	165	140	3.000	Tipo 3000	35
IS7006A	147	245	215	210	160	4.000	Tipo 4000	50
IS7008A	215	220	173	168	160	6.000	Tipo 6000	70
IS7009A	215	270	217	212	160	8.000	Tipo 8000	80
IS7010A	215	305	251	246	200	10.000	Tipo 10000	100