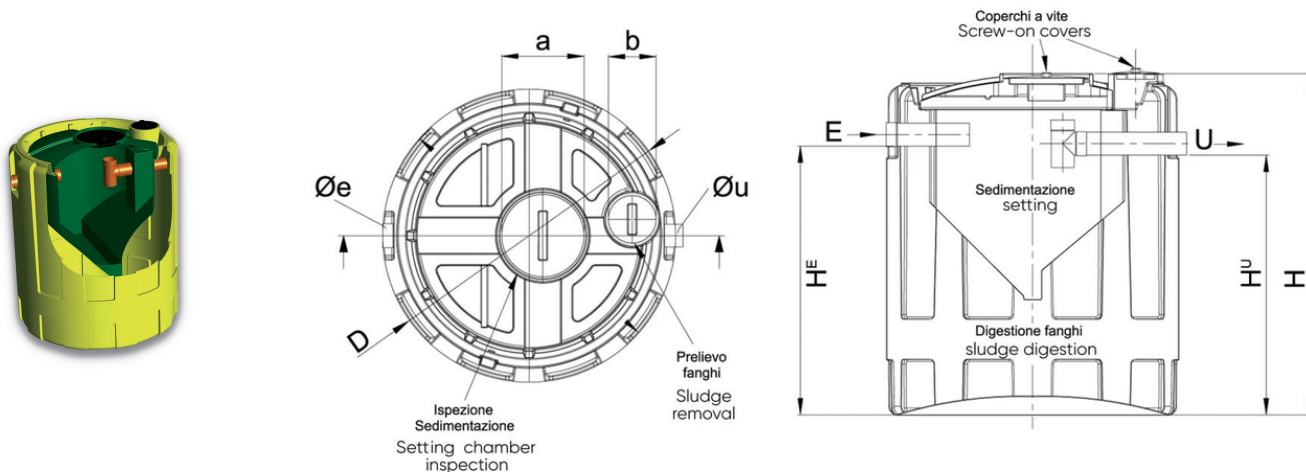


BIO HT, imhoff tank

One-piece polyethylene Imhoff tank with ribbed structure and reinforced roof.

Treatment performance:

- DBOS reduction = 40%
- MLSS reduction = 60%



Reference	D (cm)	Height H (cm)	HE (cm)	HU (cm)	V sett (m ³)	V dig (m ³)	ØE e ØU (mm)	Total Volume (l)	a (cm)	b (cm)	Item	Users (E.I.)
IS101HT	80	80	60	56	0,12	0,28	100	400	30	-	BIO FAMILY HT 400	3
IS102HT	80	120	100	96	0,16	0,44	100	600	30	-	BIO FAMILY HT 800	4
IS103HT	120	120	100	97	0,24	0,86	100	1.100	40	-	BIO FAMILY HT 1000	6
IS104HT	120	150	125	122	0,4	1,1	125	1.500	40	-	BIO FAMILY HT 1500	10
IS105HT	120	190	165	162	0,6	1,5	125	2.100	40	-	BIO FAMILY HT 2000	15
IS170HT	160	185	147	144	0,8	2,0	125	2.800	40	20	BIO TOP HT 3000	20
IS171HT	160	235	197	194	0,9	2,9	140	3.800	40	20	BIO TOP HT 4000	23
IS172HT	190	215	177	174	1,6	4,0	140	5.600	40	20	BIO TOP HT 5000	40
IS173HT	190	255	217	214	2,0	5,0	140	7.000	40	40	BIO TOP HT 6000	50
IS174HT	220	260	211	208	2,6	6,5	160	9.100	40	40	BIO TOP HT 8000	65
IS175HT	220	285	236	233	3,0	7,5	160	10.500	40	40	BIO TOP HT 9000	75

BIO HT, imhoff tank

Reference	D (cm)	Height H (cm)	HE (cm)	HU (cm)	V sett (m ³)	V dig (m ³)	ØE e ØU (mm)	Total Volume (l)	a (cm)	b (cm)	Item	Users (E.I.)
IS176HT	220	310	261	258	3,4	8,5	160	11.900	40	40	BIO TOP HT 10000	85