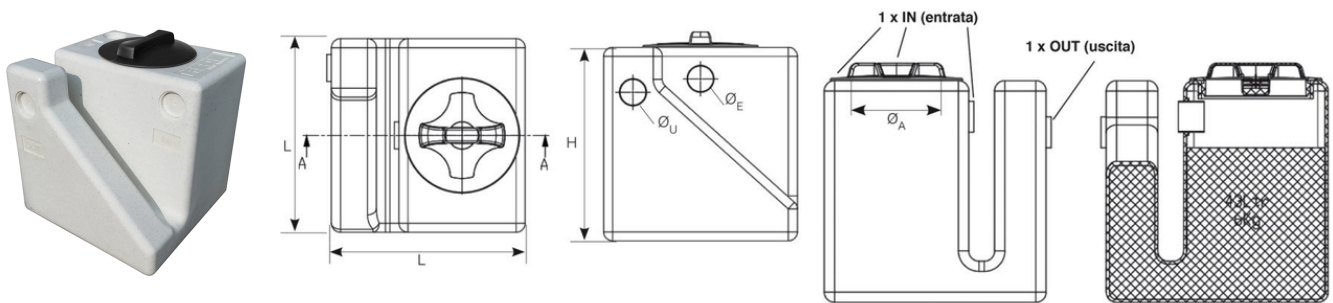


# SL, grease trap

UNDER SINK PRE-TREATMENT UNIT. Polyethylene Grease Trap, single-block, to be installed in tight spaces, e.g. under the sink, to limit the polluting load when channeled to either a public sewer or a private treatment plant. Designed to obtain an efficient grease separation and a good hydraulic flow, it is suitable to be used when the installation of a standard grease trap underground is not possible. The Grease Trap is equipped with a threaded cover for full inspection and easy removal of grease and other floating materials. The product is completely made of recyclable materials.



Reference	Height H (cm)	ØE e ØU (mm)	Total Volume (l)	L (cm)	Item	Users (E.I.)	Flow Rate (l/s)	Diameter Cover
ISO0510	43	40/50	48	43x43	DEG.FAMILY 50	0,1	1 (N.S.)	19,5 (ØA cm)