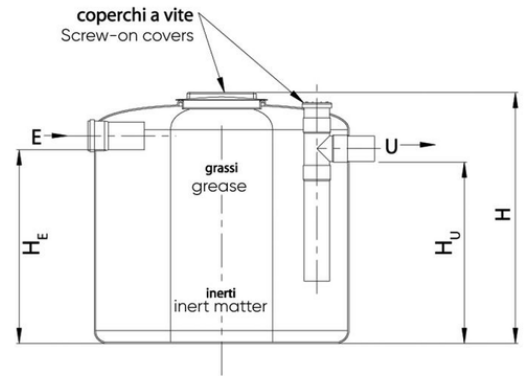
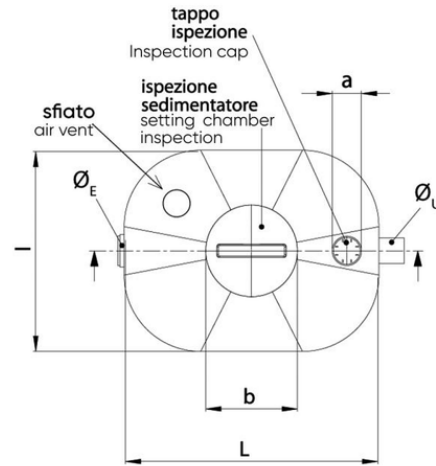
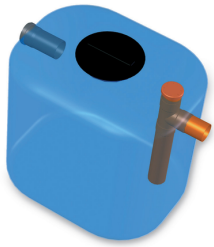


# PC, grease trap

One-piece polyethylene Grease Trap



Reference	Height H (cm)	HE (cm)	HU (cm)	ØE e ØU (mm)	Total Volume (l)	l x L (cm)	a (cm)	b (cm)	Covers (meals/day)	Item	Users (E.I.)	Flow Rate (l/s)
ISO0511	95	74	70	100	417	78x100	10	30	50	DEG. PC A1	20	1 (N.S.)
ISO0512	123	105	101	100	800	78x128	10	30	100	DEG. PC A2	30	2 (N.S.)