

Non Return Valve OTTIMA - Single socket - SCJ - PVC

Stainless steel flap

CE Marked according to the norm EN13564

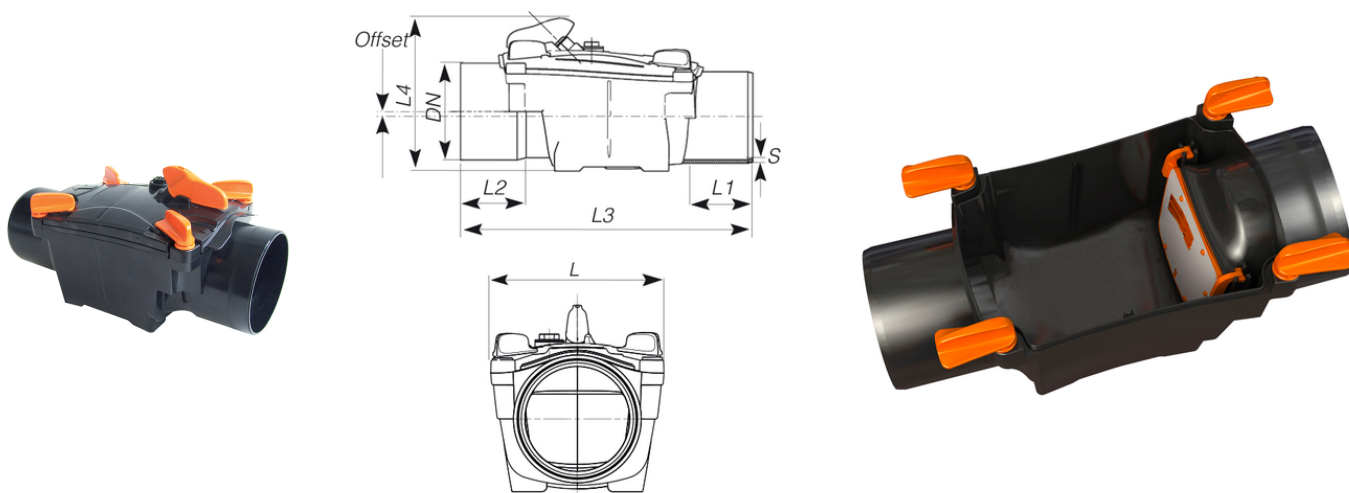
Certified by German Institute LGA

Inlet and outlet of the valves are in accordance with EN 1401 and EN 1329

Tightness 0,5 bar

Material U-PVC

Solvent socket



Reference	Colour	DN (mm)	S (mm)	L (mm)	L1 (mm)	L2 (mm)	L3 (mm)	L4 (mm)	Offset (mm)	Flaps	Flap Stainless Steel
11S1008	Black	100	3,0	171	60	53	334	184	7	TYPE 1	Flap inox
11S1108	Black	110	3,2	171	65	63	350	184	7	TYPE 1	Flap inox
11S1208	Black	125	3,2	255	73	69	458	226	9	TYPE 1	Flap inox
11S1608	Black	160	4,0	255	83	82	491	226	9	TYPE 1	Flap inox