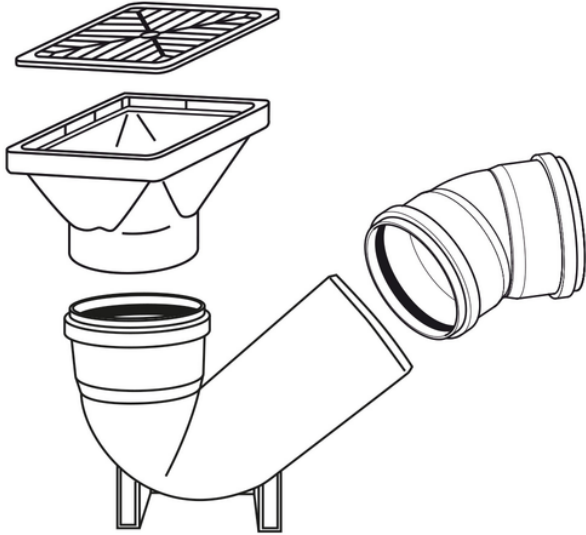


Gully kit

Standard lip ring



Reference	DN (mm)	H (mm)	L (mm)	L1 (mm)
1KIT15E	110	99	150	160