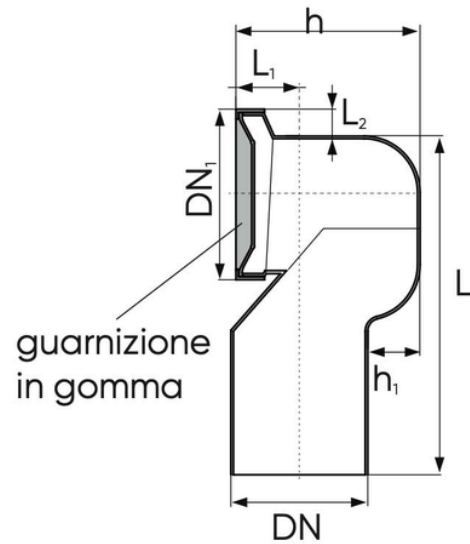


Horizontal WC bend with gasket

EN 1451 Push-Fit PP Pipe and Fittings
 Impact-Resistant
 B1 Fire Reaction Class, Self-extinguishing



Reference	Colour	H (mm)	H1 (mm)	DN1 (mm)	L1 (mm)	L2 (mm)	DN (mm)
Z2525PP	White	148	40	137	48	22	90
Z2523PP	White	148	42	137	51	22	110