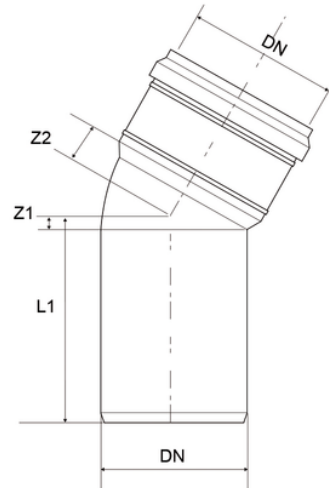


# Bend 30°

EN 1451 Push-Fit PP Pipe and Fittings  
 Impact-Resistant  
 B1 Fire Reaction Class, Self-extinguishing



Reference	Colour	Z1 (mm)	Z2 (mm)	L1 (mm)	DN (mm)
Z1132PP	Grey RAL 7037	6	7	52	32
Z1140PP	Grey RAL 7037	7	11	69	40
Z1150PP	Grey RAL 7037	9	12	71	50
Z1175PP	Grey RAL 7037	12	15	78	75
Z1190PP	Grey RAL 7037	-	-	-	90
Z1111PP	Grey RAL 7037	17	21	92	110
Z1112PP	Grey RAL 7037	19	23	100	125
Z1116PP	Grey RAL 7037	24	30	123	160