

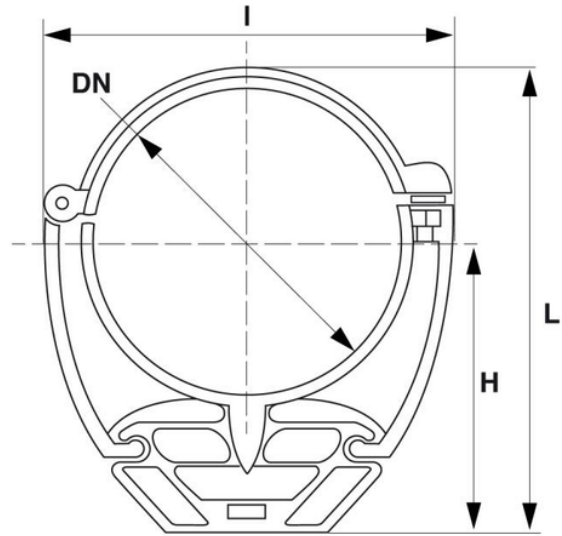
Technical bend long version M/F

13 dB - 2 l/s Acoustic Performance

B s1 d0 Fire Reaction Euroclass

Thermoplastic mineral-reinforced material PVC-U

Color: RAL 9005 - Black



Reference	Colour	L (mt)	I [mm]	Ø fixing screw	DN (mm)
PHONK50	Black	76	78	M8	50
PHONK75	Black	112	111	M8	75
PHONK90	Black	144	131	M8	90
PHONK10	Black	160	140	M7	100
PHONK11	Black	171	150	M8	110
PHONK12	Black	213	170	M10	125
PHONK16	Black	245	213	M10	160