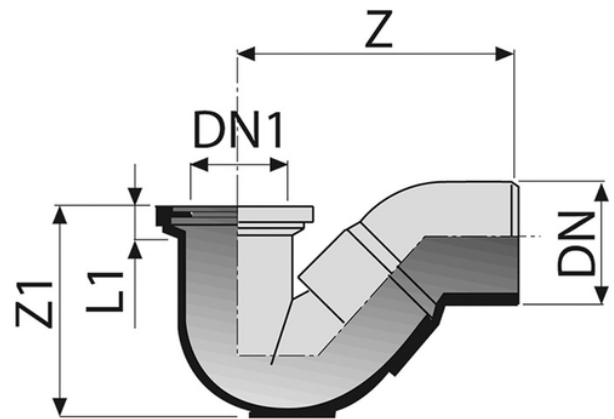
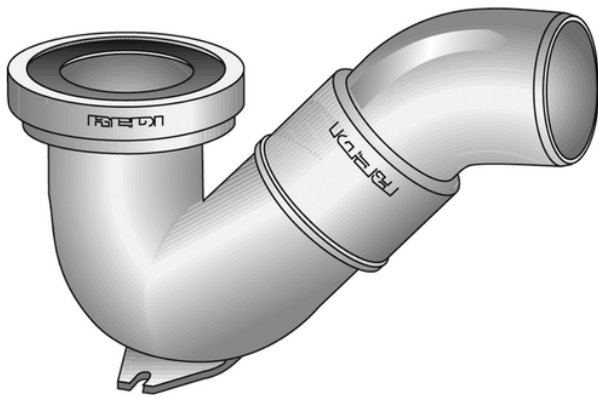


Low backed gully with bend

- EN 1329 Solvent Welded PVC-U Fittings
- B s2 d0 Fire Reaction Euroclass
- Color: RAL 7037 Grey



Reference	Type	DN1 (mm)	Z (mm)	Z1 (mm)	L1 (mm)	DN (mm)	Version
1771402	Bend 45°	95÷135	280	214	33	110	-
17710A2	Bend 45° + Bend 90°	95÷135	280	214	33	100	upon request
17714A2	Bend 45° + Bend 90°	95÷135	200	214	33	110	upon request
17714C2	Bend 45° + Bend 90°	95÷135	310	214	33	110	upon request