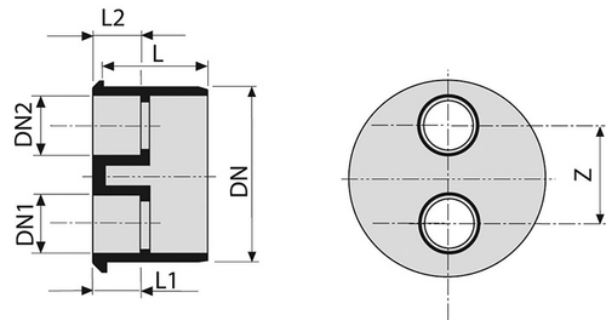
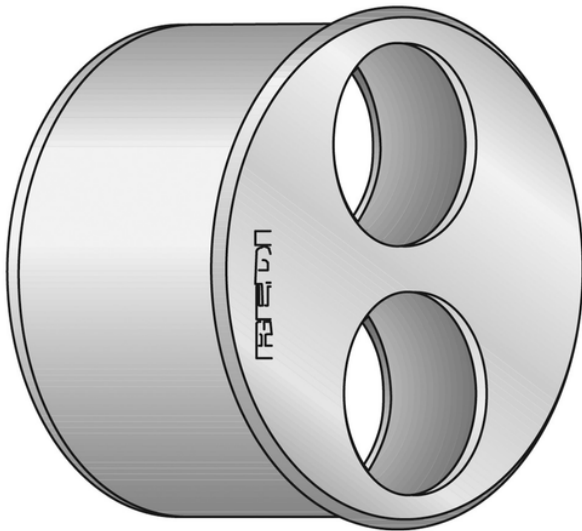


Reducing plug M/F 2 inlets

- EN 1329 Solvent Welded PVC-U Fittings
- B s2 d0 Fire Reaction Euroclass
- Color: RAL 7037 Grey



Reference	DN1 (mm)	Z (mm)	L (mm)	L1 (mm)	L2 (mm)	DN (mm)	Version
054600M	40	60	56	26	22	100	upon request
054700M	40	56	56	26	26	100	-
054800M	50	51	56	31	26	100	-
054950M	40	95	60	27	27	110	-
054960M	50	90	60	32	27	110	upon request