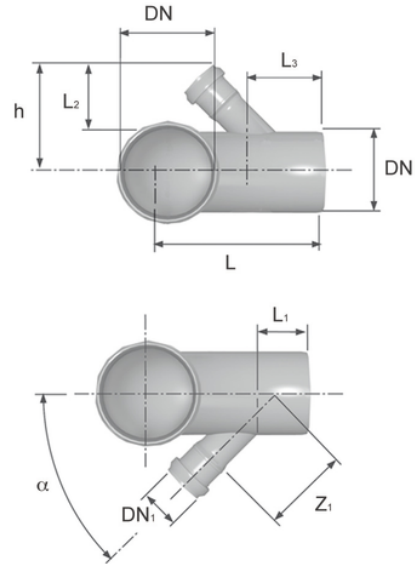


# WC bend 87°30' PP with 2 side-inlets

Material: PP



Reference	H (mm)	DN1 (mm)	Z1 (mm)	L1 (mm)	L2 (mm)	L3 (mm)	$\alpha$	DN Cast Iron	DN (mm)	Version
Z2344PP	132	40	88	66	68	87	45°	40	110	upon request
Z2355PP	132	50	90	61	68	90	45°	50	110	upon request