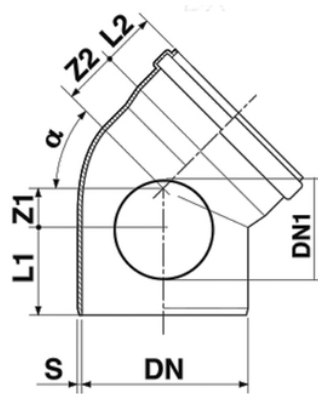


Bend 45°(SX) with access plug

Push-Fit PVC-U Fittings EN 1401
Gaskets EN 681-1 DIN 4060

Note: Gasket Standard Lip Ring
Fabricated
RAL 8023 Red - RAL 7037 Grey



Reference	DN (mm)	DN1 (mm)	S (mm)	Z1 (mm)	Z2 (mm)	L1 (mm)	L2 (mm)	RAL	Type	Gasket	Version
N1C88E1	110	63	3,2	27	36	58	50	8023	Fabricated	Standard	-
11912S1	125	80	3,2	29	40	68	56	8023	Fabricated	Standard	upon request
11916S1	160	100	4,0	37	51	80	66	8023	Fabricated	Standard	-