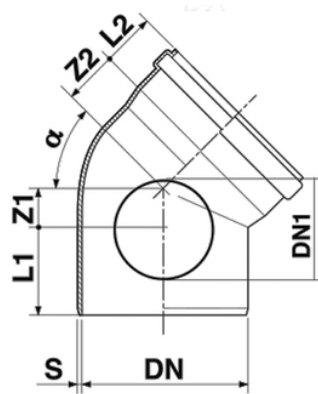


Bend 45° (DX) with access plug

Push-Fit PVC-U Fittings EN 1401
Gaskets EN 681-1 DIN 4060

Note: Gasket Standard Lip Ring
Fabricated
RAL 8023 Red



Reference	DN (mm)	DN1 (mm)	S (mm)	Z1 (mm)	Z2 (mm)	L1 (mm)	L2 (mm)	RAL	Type	Gasket	Version
N1C87E1	110	63	3,2	27	36	58	50	8023	Fabricated	Standard	upon request
11912D1	125	80	3,2	29	40	68	56	8023	Fabricated	Standard	upon request
11916D1	160	100	4,0	37	51	80	66	8023	Fabricated	Standard	-