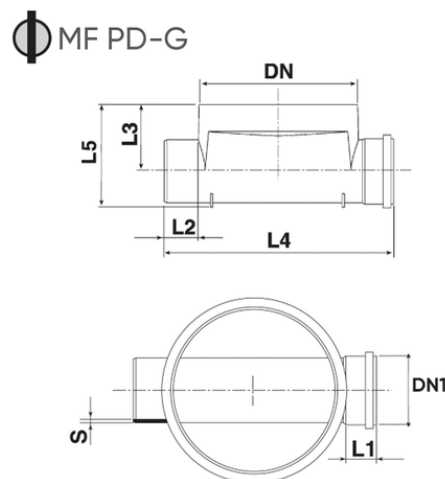
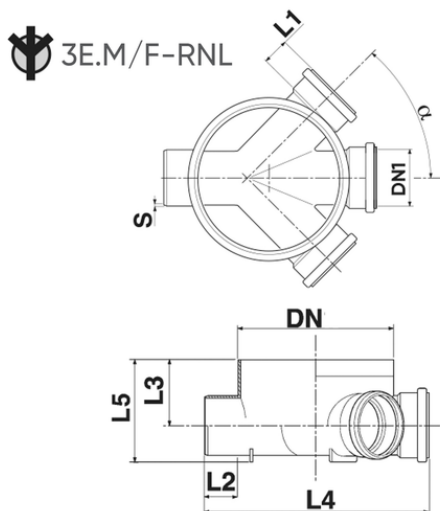


Access junction basis M/F 400x160

NOTE: Gasket Standard Lip Ring
RAL 8023 Red



Reference	DN (mm)	DN1 (mm)	S (mm)	L1 (mm)	L2 (mm)	L3 (mm)	L4 (mm)	L5 (mm)	α	RAL	Version	Type
096435X	400	160	5	74	85	130	605	230	45°	8023	3E.M/F - RNL	-
096495X	400	160	5	74	85	130	605	230	0°	8023	MF PD - G	upon request