

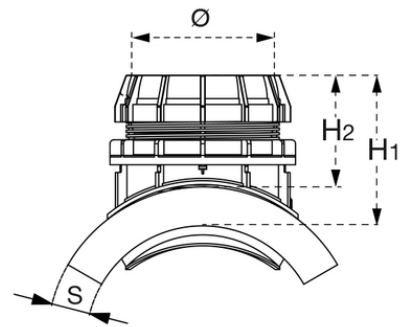
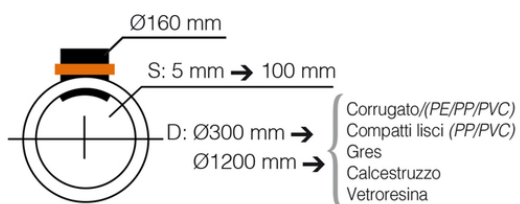
# Easy Clip Plus Ø160

Mechanical saddle for structured, compact solid wall, clay, concrete and GRP pipes.

Standard lip ring

Included one tube of lubricant: Camon scivolina Art. 6741500 jar gr. 150

GUIDE TO CHOOSE THE RIGHT MECHANICAL SADDLE [EASY CLIP CALCULATOR](#)



Reference	certificate	H1 (mm)	Ø (mm)
1A16058	CSTB: ANF EN 1401 / MPA: DIN EN 13598-1	255	160
1C16058	CSTB: ANF EN 1401 / MPA: DIN EN 13598-1	255	160
1D16058	CSTB: ANF EN 1401 / MPA: DIN EN 13598-1	255	160
1E16058	CSTB: ANF EN 1401 / MPA: DIN EN 13598-1	255	160
1G16058	CSTB: ANF EN 1401 / MPA: DIN EN 13598-1	255	160
1H16058	CSTB: ANF EN 1401 / MPA: DIN EN 13598-1	255	160
1J16058	CSTB: ANF EN 1401 / MPA: DIN EN 13598-1	255	160
1K16058	CSTB: ANF EN 1401 / MPA: DIN EN 13598-1	255	160
1Y16058	CSTB: ANF EN 1401 / MPA: DIN EN 13598-1	205	160