

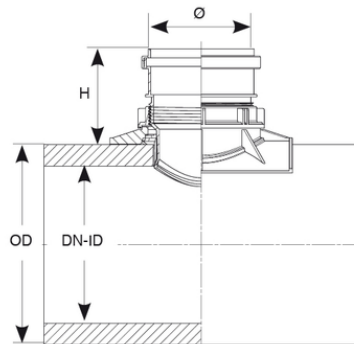
Easy Clip City ID Ø200-250

Mechanical saddle 90° for compact solid wall pipes/smooth pipes with small diameters.

Standard lip ring

Included one tube of lubricant: Camon scivolina Art. 6741500 jar gr. 150

GUIDE TO CHOOSE THE RIGHT MECHANICAL SADDLE [EASY CLIP CALCULATOR](#)



Reference	DN (mm)	H (mm)	Ø (mm)	L1 (mm)	L2 (mm)	L3 (mm)	Type
1431658 tubo standard	(ID) 200 / (OD) 242	158	160	194	290	219	Class (KN M2) 160
1431658 tubo extra	(ID) 200 / (OD) 254	152	160	194	290	219	Class (KN M2) 240
1432658 tubo standard	(ID) 250 / (OD) 299	161	160	182	290	236	Class (KN M2) 160
1432658 tubo standard	(ID) 250 / (OD) 318	151	160	182	290	236	Class (KN M2) 240