

# PP Floor drain (external outlet)

Especially designed for public premises, balconies, industrial kitchens, public lavatories and in all cases a trapping action is required.

Material: Polypropylene.

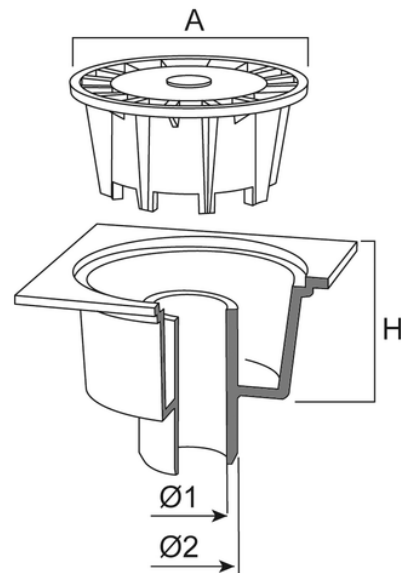
Use: to collect rain and waste water.

Advantages:

- easy inspection and cleaning
- internal, external and horizontal outlet versions available.

All products can be classified in load class K3 in accordance with regulation EN 1253 (resistance >300 kg). All tests have been carried out at Aliaxis laboratories.

Tested by CSTB.



Reference	RAL	A (mm)	H (mm)	Ø (mm)	Dim (mm)	l/s
EP75104	7035	177	83	80	200	1,5
EP75804	7035	130	59	50	150	-
EP75904	7035	130	65	50	200	-
EP76004	7035	177	83	75	200	1,6
EP76404	7035	177	83	110	200	1,6
EP76904	7035	177	83	110	250	1,5
EP77304	7035	177	83	100	300	1,5
EP95604	7035	92	61	50	100	0,8