

PVC Floor drain (external outlet)

Especially designed for public premises, balconies, industrial kitchens, public lavatories and in all cases a trapping action is required.

Material: PVC.

Use: to collect rain and waste water.

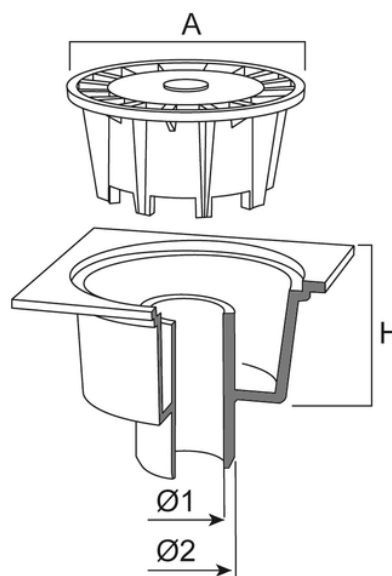
PVC specifications and structure design give this product a great resistance against atmospheric agents and ageing and ensure dimensional stability in time.

Advantages:

- easy inspection and cleaning
- internal, external and horizontal outlet versions available.

All products can be classified in load class K3 in accordance with regulation EN 1253 (resistance >300 kg). All tests have been carried out at Aliaxis laboratories.

Tested by CSTB.



Reference	RAL	A (mm)	H (mm)	Dim (mm)	Ø1 (mm)	Ø2 (mm)	l/s
O210504	7035	92	50	100	-	50	1
O210804	7035	92	50	100	32	40	0,89
O211104	7035	130	55	150	40	50	1,07
O212104	7035	177	65	200	-	50	-
O212204	7035	177	65	200	63	75	1,34
O212304	7035	177	65	200	-	80	1,34
O212404	7035	177	65	200	90	100	1,34
O212504	7035	177	65	200	100	110	1,34
C221004	7035	177	83	250	-	100	1,6
E220504	7035	177	83	250	-	110	1,6
E222504	7035	177	83	300	-	75	1,6

PVC Floor drain (external outlet)

Reference	RAL	A (mm)	H (mm)	Dim (mm)	Ø1 (mm)	Ø2 (mm)	l/s
E223004	7035	177	83	300	-	100	1,6
E223504	7035	177	83	300	-	110	1,6