

PVC Floor drain (internal outlet)

Especially designed for public premises, balconies, industrial kitchens, public lavatories and in all cases a trapping action is required.

Material: PVC.

Use: to collect rain and waste water.

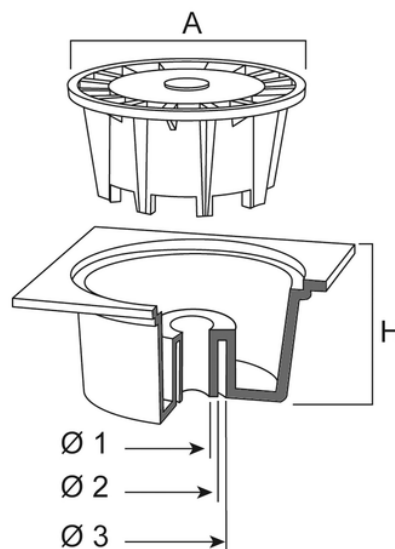
PVC specifications and structure design give this product a great resistance against atmospheric agents and ageing and ensure dimensional stability in time.

Advantages:

- easy inspection and cleaning
- internal, external and horizontal outlet versions available.

All products can be classified in load class K3 in accordance with regulation EN 1253 (resistance >300 kg). All tests have been carried out at Aliaxis laboratories.

Tested by CSTB.



Reference	RAL	A (mm)	H (mm)	Dim (mm)	Ø1 (mm)	Ø2 (mm)	diameter3Mm	IsDiameter1	IsDiameter2	IsDiameter3
E191004	7035	92	50	100	32	40	-	0,4	0,6	-
E191504	7035	138	63	150	40	50	63	0,7	0,8	0,8
E192004	7035	182	92	200	63	75	90	1,9	1,7	1,6
E192504	7035	182	92	200	63	75	100	1,9	1,6	1,6
E192604	7035	228	95	250	-	-	100	3	-	-
E193004	7035	228	95	300	-	-	100	3	-	-