

130x1000 PP Channel H90 with T section grill

Linear evacuation by superficial drainage channels with grills.

These channels can be placed in flat open areas without digging limitations. To use in pedestrian areas and light traffic areas.

Tested by Istituto di Ricerche e Collaudi M. Masini S.R.L.

Marking: CE

Material: PP

Shaped profile T

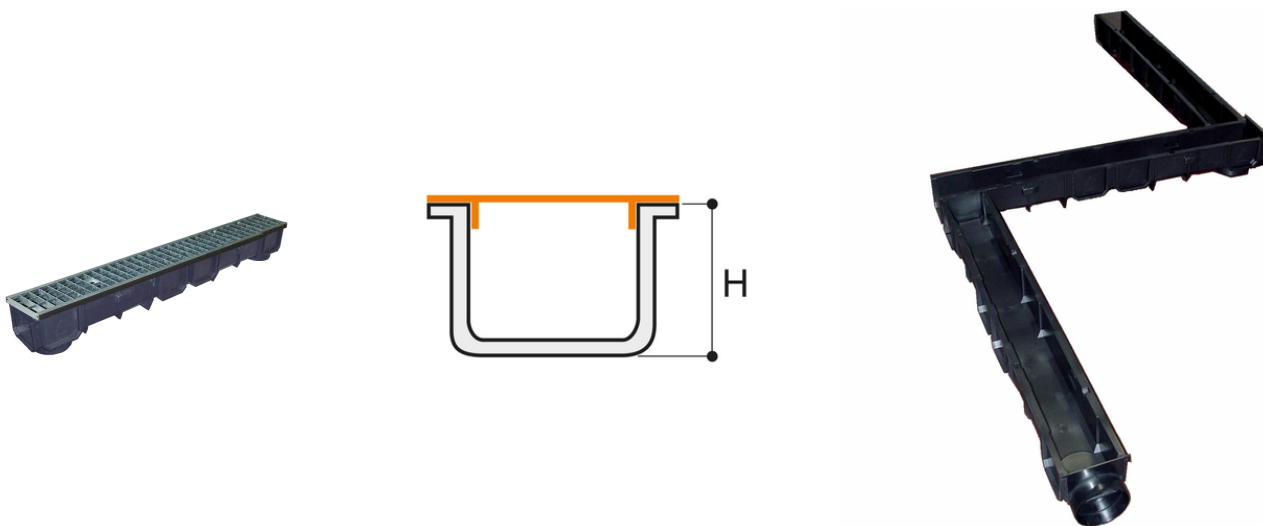
2 x vertical outlet predisposition Ø110

Channel can be cut in 2 channels 130x500

Grate locking device NOT applicable

Grating: class A15 EN1433.

Use rain water drainage in pedestrian areas and light traffic areas.



Reference	Colour	H (mm)	Dim (mm)	Type	Material	Grill	Lock system
WCA13PP	Black	90	130x1000	A15 EN1433	PP	Galvanized steel	Ad incastro / Interlock