

200 Frame for light traffic covers and grates

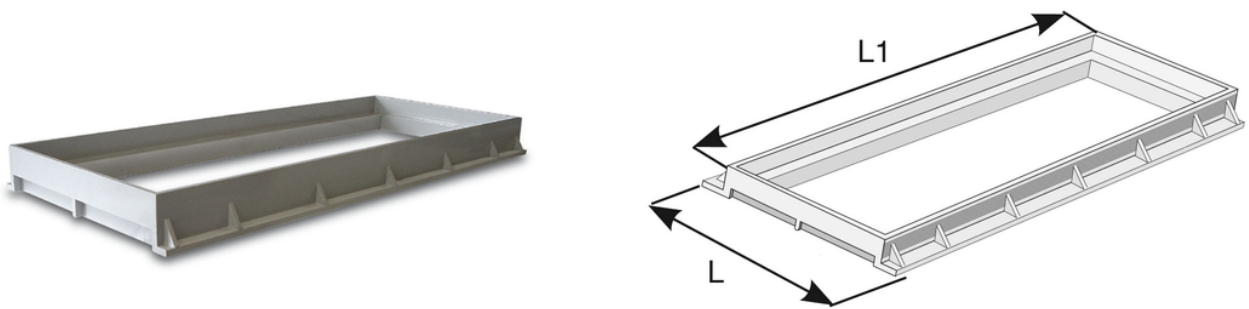
Linear evacuation by superficial drainage channels with grills.

Modular

These channels can be placed in flat open areas without digging limitations. Suitable for pedestrian areas.

Material: PVC

Use: to house grates or covers for closing concrete channels or other special applications.



| Reference | RAL | L (mm) | L1 (mm) | Material |
|-----------|------|--------|---------|----------|
| E250504 | 7035 | 200 | 500 | PVC |