

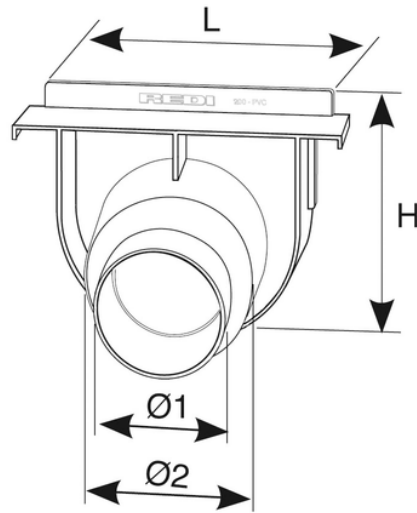
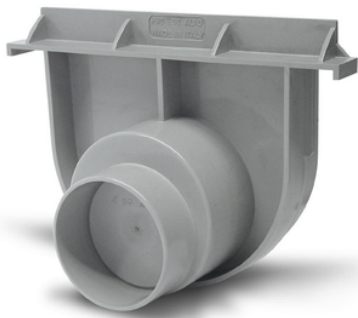
200 End cap-outlet HIGH

Linear evacuation by superficial drainage channels with grills.

These channels can be placed in flat open areas without digging limitations. Suitable for pedestrian areas.

Material: PVC

Use: end cap for high channels 200 (easy-to-open outlet)



| Reference | RAL | H (mm) | L (mm) | Ø1 (mm) | Ø2 (mm) | Material |
|-----------|------|--------|--------|---------|---------|----------|
| E1720A4 | 7035 | 170 | 200 | 80 | 100 | PVC |
| E1722A4 | 7035 | 170 | 200 | 75 | 110 | PVC |