

130 Universal HIGH corner channel PVC

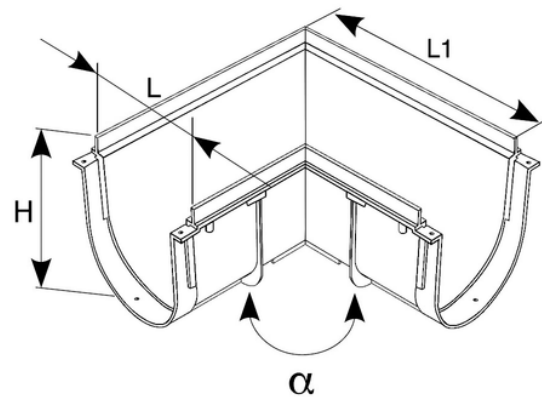
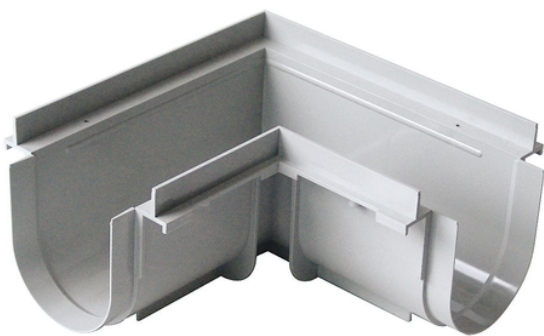
Linear evacuation by superficial drainage channels with grills.

These channels can be placed in flat open areas without digging limitations. Suitable for pedestrian areas.

Material: PVC

Universale monolitico

N.B. Use solvent cement for PVC to weld the channels (Reference COLLA00 - COLLA25 - COLLA12).



Reference	RAL	H (mm)	L (mm)	L1 (mm)	α	Material
E731704	7035	134	130	250	90°	PVC