

# 130 Low modular channel

Linear evacuation by superficial drainage channels with grills.

These channels can be placed in flat open areas without digging limitations. To use in garages, yards, terraces, balconies, multistoreyed parkings, and in all cases of low concrete slab.

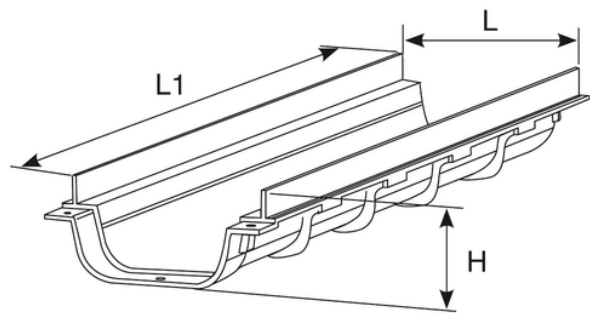
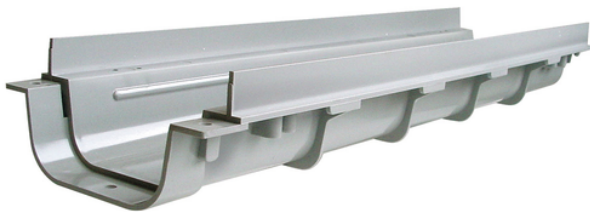
Material: PVC.

Marking: CE.

Features:

- modular joint by pins
- preset for cover screw fastening
- possibility to glue the components to ensure water tightness.

N.B. Use solvent cement for PVC to weld the channels (Reference COLLA00 - COLLA25 - COLLA12).



Reference	RAL	H (mm)	L (mm)	L1 (mm)	Material
E1813B4	7035	70	130	500	PVC