

100 modular channel LOW with vertical outlet

Linear evacuation by superficial drainage channels with grills.

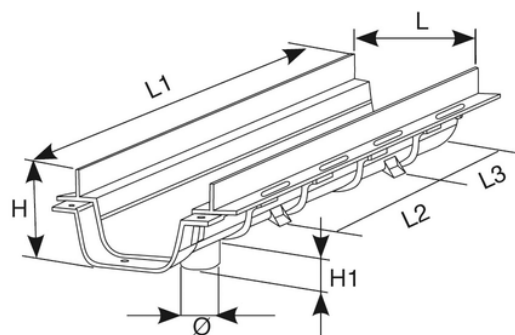
These channels can be placed in flat open areas without digging limitations. To use in garages, terraces and balconies, multi-storeyed car parks in all cases of low concrete slab.

Material: PVC.

Features:

- fixing brackets (preset for nails or screw fastening)
- side slots for better anchorage to concrete
- modular couplings by pins
- preset for cover screw fastening
- vertical outlet Ø 63 (easy perforation)
- end cap (outlet diameter 50)
- possibility to glue the components to ensure water tightness.

N.B. Use solvent cement for PVC to weld the channels (Reference COLLA00 - COLLA25 - COLLA12).



Reference	RAL	H (mm)	H1 (mm)	Ø (mm)	L (mm)	L1 (mm)	L2 (mm)	L3 (mm)	Material
E1811B4	7035	50	15	63	100	500	200	150	PVC