

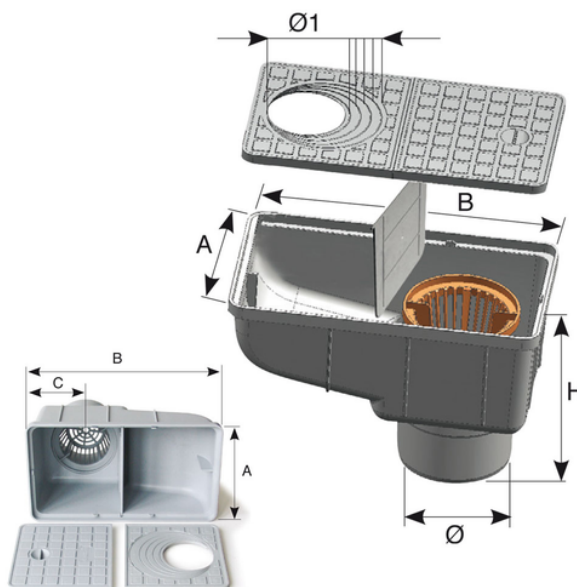
# PP Untrapped rainwater gully with vertical outlet

Pavements, grass or paved walkways: to use as inspection chamber for rain water flowing from gutter downpipes to the sewage.  
 Tested by CSTB. Flow rate in accordance with regulation EN 1253-1 par. 8.11. Material: Polypropylene.

Benefits:

- PREVENTS ICING
- light-weight
- easier installation than concrete version
- fully injection moulded
- high durability in the long term
- access cover with handle
- leaves basket (except in model with Ø125 mm)
- internal removable baffle plate
- available with round inlet Ø: 75/80/90/100/110
- vertical outlet Ø100, Ø110 and Ø125.

Installation: a concrete floor seating is recommended.



Reference	RAL	C (mm)	H (mm)	Ø (mm)	A x B (mm)	l/s	Ø1 inlets (mm)
Y881004	7035	80	195	100	166X300	4,9	50;75;80;90;100;110
Y881104	7035	80	195	110	166X300	4,9	50;75;80;90;100;110
Y88AL04	7035	80	215	125	166X300	4,9	50;75;80;90;100;110