

PP Untrapped rainwater gully with vertical/horizontal outlet

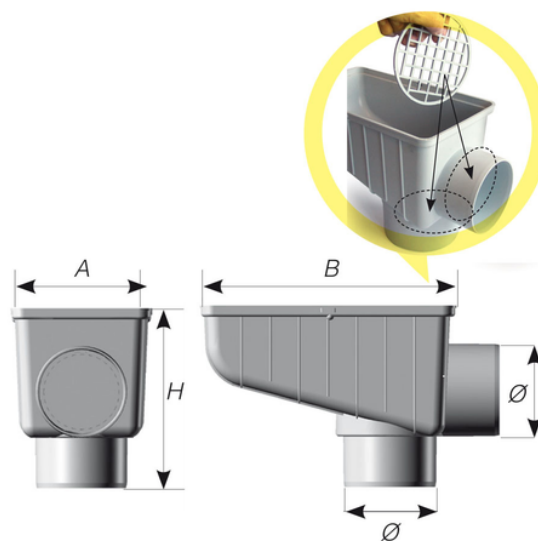
Pavements, grass or paved walkways: to use as inspection chamber for rain water flowing from gutter downpipes to the sewage.

Material: Polypropylene.

Benefits:

- PREVENTS ICING
- light-weight
- easier installation than concrete version
- fully injection moulded
- leaf guard to be positioned in horizontal or vertical direction
- high durability in the long term
- internal removable baffle plate
- cover fasten to the gully or grill
- available with round inlet \varnothing : 50/75/80/90/100/110/125
- vertical and horizontal outlet \varnothing 100 (internal) \varnothing 110 (external)
- internal removable baffle plate
- cover or grill fasten to the gully.

Installation: a concrete floor seating is recommended.



Reference	RAL	H (mm)	A x B (mm)	l/s	Ø1 inlets (mm)
Y891004	7035	215	166X300	3,7	50;75;80;90;100;110;125