

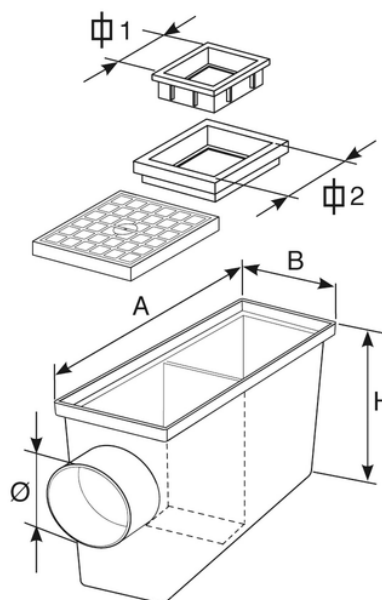
PP Trapped rainwater gully with square inlet and horizontal outlet

Pavements, grass or paved walkways: to use as inspection chamber for rain water flowing from gutter downpipes to the sewage.
 Tested by CSTB. Flow rate in accordance with regulation EN 1253-1 par. 8.11. Material: Polypropylene.

Benefits:

- light-weight
- easier installation than concrete version
- fully injection moulded
- high durability
- access cover with handle
- internal removable baffle plate
- available with either square or round inlet ROUND Ø 80/100 or Ø 75/110, SQUARE 80/100
- horizontal outlet Ø 100 and Ø 110.

Installation: a concrete floor seating is recommended.



Reference	RAL	H (mm)	Ø (mm)	A x B (mm)	Dim. 1 (mm)	Dim. 2 (mm)	l/s
Y771504	7035	215	100	240X128	80	100	2,3
Y772004	7035	215	110	240X128	80	100	2,3