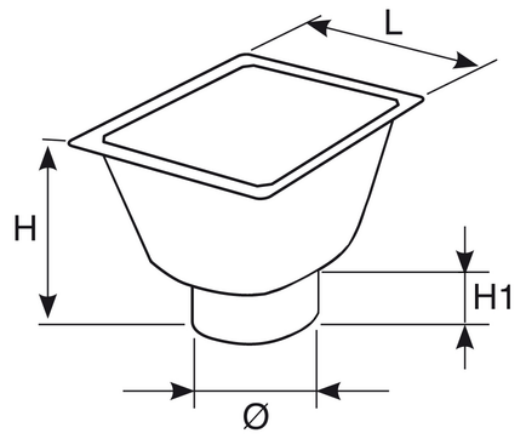


# Trap bell for catch basin PP

Use to trap inspection catch basin.

Material: Polypropylene.

Installation: the trap bell should be placed into the bottomless catch pit on the specially provided site stops.



Reference	RAL	H (mm)	H1 (mm)	Ø (mm)	L (mm)	Dim (mm)	Material
E274404	7035	300	75	160	350	400x400	PP
E273304	7035	210	58	125	251	300x300	PP