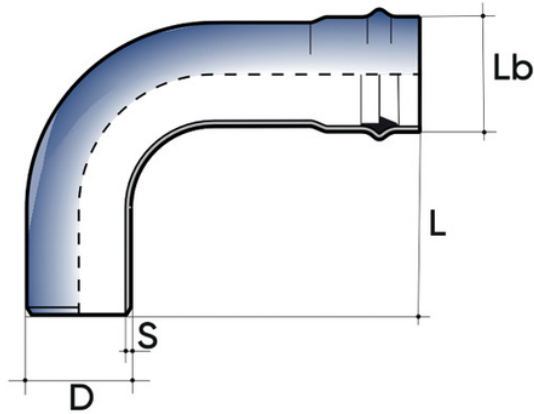


# POWER-LOCK VDA® PN16 - 90° bend

VDA® pressure POWER-LOCK bend, Blu Ral 5010, 90 DEGREES, connection FORSHEDA 601 POWER-LOCK®.



Reference	D (mm)	S (mm)	Lb (mm)	Qty x pallet
PBVDAPN16063F9L	63	3.2	110	55
PBVDAPN16075F9L	75	3,7	120	55
PBVDAPN16090F9L	90	4.0	130	55
PBVDAPN16110F9L	110	4.9	130	45
PBVDAPN16125F9L	125	5.5	150	35
PBVDAPN16140F9L	140	6.2	160	25
PBVDAPN16160F9L	160	7.0	165	25
PBVDAPN16200F9L	200	8.8	180	*
PBVDAPN16225F9L	225	9.9	200	*
PBVDAPN16250F9L	250	11.0	210	*
PBVDAPN16280F9L	280	12.3	210	*
PBVDAPN16315F9L	315	13.8	230	*
PBVDAPN16355F9L	355	15.6	250	*
PBVDAPN16400F9L	400	17.5	250	*



# POWER-LOCK VDA® PN16 – 90° bend

- **Size range:** d 63 ÷ 400 (mm); Degrees: 90°
- **Nominal pressure:** PN16
- **Temperature range:** 0 °C ÷ 60 °C
- **Coupling standards:** FORSHEDA JOINT, gluing on request
- **Reference standards:** Curves produced from certified pipes:
  - KQ KIWA QUALITY KIP-105133- BSPAS27
  - D.M. No.174/2004-potability
  - UNIEN 1622- smell and taste threshold
- **Bend material:** PVC-A colour BLUE RAL 5010