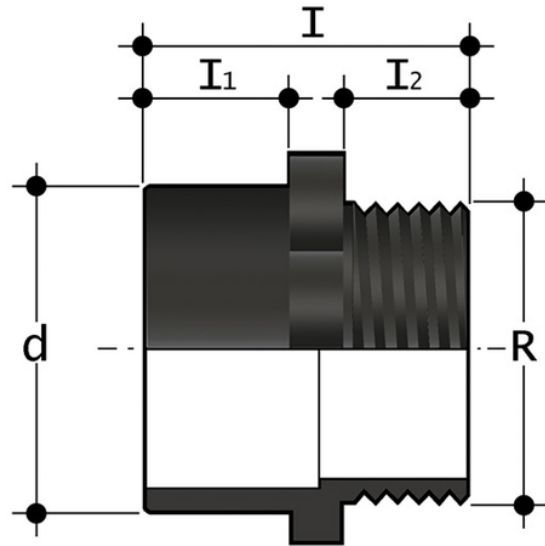


# KBFE - Adaptor

Adaptor with short spigot for butt welding, BSP (R) threaded male end, SDR 11 - S5.



Reference	d	R	l	l <sub>1</sub>	l <sub>2</sub>	g
KBFE11020012	20	1/2"	46	20	18,0	7
KBFE11025034	25	3/4"	51,5	23	20,5	10
KBFE11032100	32	1"	60	28	24,0	20
KBFE11040114	40	1" 1/4	66,5	30	26,5	35
KBFE11050112	50	1" 1/2	72	33	27,0	59
KBFE11063200	63	2"	79,5	35	32,5	90

# KBFE - Adaptor

- Size range: d 20 ÷ 63 (mm); R 1/2" ÷ 2"
- Nominal pressure: SDR 11 (PN16) with water at 20 °C
- Temperature range: -40 °C ÷ 60 °C
- Coupling standards - Reference standards:
  - Welding: EN ISO 15494. Can be coupled to pipes according to EN ISO 15494
  - Thread: ISO 228-1, DIN 2999
  - Construction criteria: EN ISO 15494
  - Test methods and requirements: EN ISO 15494
  - Installation criteria: DVS 2202-1, DVS 2207-1, UNI EN 12201- 3, UNI 10520, ISO 21307, UNI 10521, UNI EN 1555-3, ISO 4427- 3, ISO 4437-3
- Fitting material: PE-HD