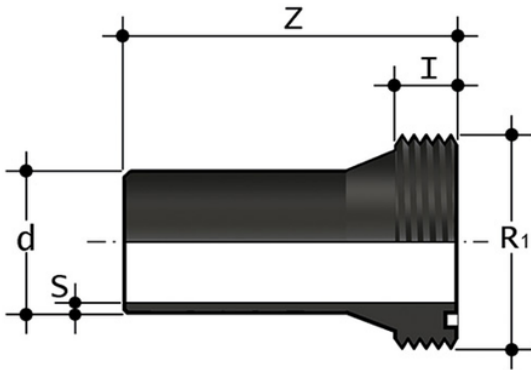


F/BBE-L - Union bush

Union bush, long spigot, for butt welding SDR 11 - S5.



Reference	d	Z	I	R ₁	S	g
FBBEL11020	20	95	13	1"	1,9	24
FBBEL11025	25	95	13	1 1/4 "	2,3	40
FBBEL11032	32	95	14	1 1/2 "	2,9	54
FBBEL11040	40	95	16	2 "	3,7	60
FBBEL11050	50	95	18	2 1/4 "	4,6	116
FBBEL11063	63	95	20	2 3/4 "	5,8	188

F/BBE-L – Union bush

- Size range: $d_{12} \div d_{800}$ (mm)
- Nominal pressure: SDR 17 (PN10) with water at 20 °C, SDR 11 (PN16) with water at 20 °C
- Temperature range: $-40 \text{ °C} \div 60 \text{ °C}$
- Coupling standards – Reference standards:
 - Welding: EN ISO 15494. Can be coupled to pipes according to EN ISO 15494
 - Flanging system: ISO 7005-1, EN 1092-1, EN ISO 15494, ANSI B16.5 cl.150
 - Construction criteria: UNI EN ISO 15494
 - Test methods and requirements: UNI EN ISO 15494
 - Installation criteria: DVS 2202-1, DVS 2207-1, UNI EN 12201- 3, UNI 10520, ISO 21307, UNI 10521, UNI EN 1555-3, ISO 4427- 3, ISO 4437-3
- Fitting material: PE-HD
- Seal material: EPDM, FKM