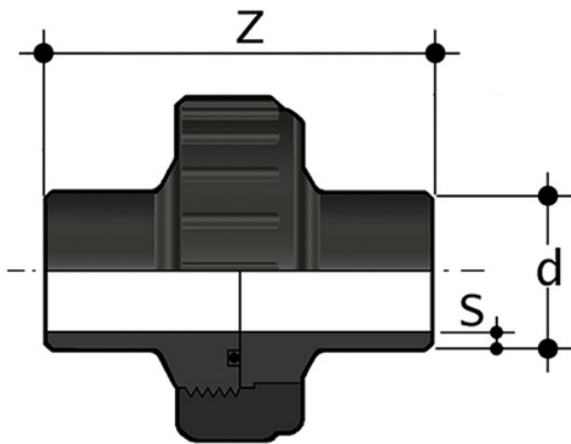


BBE-C SDR 11 - Complete union

Complete union, short spigot, for butt welding with EPDM or FKM O-ring SDR 11 - S5.



EPDM

Reference	d	Z	S	g
BBEC11020E	20	110	1,9	60
BBEC11025E	25	110	2,3	83
BBEC11032E	32	110	2,9	123
BBEC11040E	40	110	3,7	214
BBEC11050E	50	110	4,6	299
BBEC11063E	63	110	5,8	491
BBEC11075E*	75	110	6,8	599
BBEC11090E*	90	180	8,2	737
BBEC11110E*	110	180	10,0	1154

FKM

Reference	d	Z	S	g
BBEC11020F	20	110	1,9	60
BBEC11025F	25	110	2,3	83
BBEC11032F	32	110	2,9	123
BBEC11040F	40	110	3,7	214
BBEC11050F	50	110	4,6	299



BBE-C SDR 11 - Complete union

Reference	d	Z	S	g
BBEC11063F	63	110	5,8	491
BBEC11075F*	75	110	6,8	599
BBEC11090F*	90	180	8,2	737
BBEC11110F*	110	180	10,0	1154

BBE-C SDR 11 - Complete union

- Size range: $d 12 \div d 800$ (mm)
- Nominal pressure: SDR 17 (PN10) with water at 20 °C, SDR 11 (PN16) with water at 20 °C
- Temperature range: $-40 \text{ °C} \div 60 \text{ °C}$
- Coupling standards - Reference standards:
 - Welding: EN ISO 15494. Can be coupled to pipes according to EN ISO 15494
 - Flanging system: ISO 7005-1, EN 1092-1, EN ISO 15494, ANSI B16.5 cl.150
 - Construction criteria: UNI EN ISO 15494
 - Test methods and requirements: UNI EN ISO 15494
 - Installation criteria: DVS 2202-1, DVS 2207-1, UNI EN 12201- 3, UNI 10520, ISO 21307, UNI 10521, UNI EN 1555-3, ISO 4427- 3, ISO 4437-3
- Fitting material: PE-HD
- Seal material: EPDM, FKM