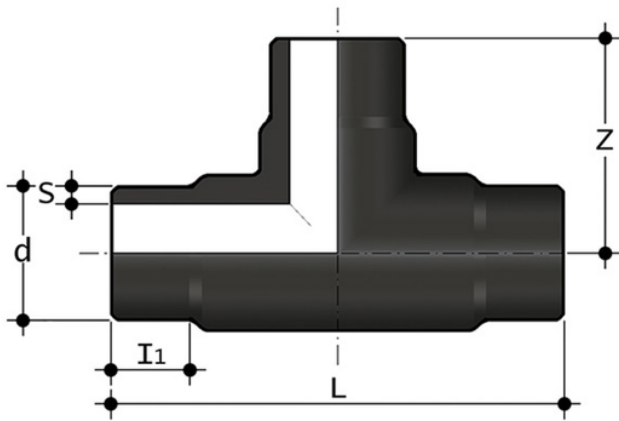


TBE SDR33 - 90° Tee

90° Tee, short spigot for butt welding SDR 33 - S16.



Reference	d	L	Z	h	s	g
TBE33110	*110	215	105	30	3	664
TBE33125	*125	218	107	35	4	530
TBE33140	*140	253	125	20	4	1080
TBE33160	*160	270	140	40	5	1731
TBE33180	*180	310	150	45	6	2360
TBE33200	*200	340	170	45	6	3140
TBE33225	*225	440	220	48	7	4340
TBE33250	*250	438	215	52	8	7100
TBE33280	*280	500	243	65	9	8450
TBE33315	*315	535	270	77	10	10980
TBE33355	*355	674	347	96	11	16980
TBE33400	*400	680	340	90	12	23400
TBE33450	*450	890	450	130	14	33000
TBE33500	*500	895	450	130	15	33500

TBE SDR33 - 90° Tee

- Size range: d 12 ÷ d 800 (mm)
- Nominal pressure: SDR 17 (PN10) with water at 20 °C, SDR 11 (PN16) with water at 20 °C
- Temperature range: -40 °C ÷ 60 °C
- Coupling standards - Reference standards:
 - Welding: EN ISO 15494. Can be coupled to pipes according to EN ISO 15494
 - Flanging system: ISO 7005-1, EN 1092-1, EN ISO 15494, ANSI B16.5 cl.150
 - Construction criteria: UNI EN ISO 15494
 - Test methods and requirements: UNI EN ISO 15494
 - Installation criteria: DVS 2202-1, DVS 2207-1, UNI EN 12201- 3, UNI 10520, ISO 21307, UNI 10521, UNI EN 1555-3, ISO 4427- 3, ISO 4437-3
- Fitting material: PE-HD
- Seal material: EPDM, FKM